

**J-4 Standard Purchasing Resolutions:**

- a) **Standard Purchasing Resolution 2: Centrifugal Self-Priming Trailer Mounted Trash Pump**

Resolution #2018-12-187-J-4a

RESOLVED, That Troy City Council hereby **AWARDS** a contract to purchase one (1) Wacker Neuson Model #APT6T, 6" trailer mounted centrifugal trash pump bid as specified to the approved equivalent bidder; *Buck and Knobby Equipment Co. of Ottawa Lake, MI*, for an estimated total cost of \$34,092.00 at the unit price contained in the bid tabulation opened November 15, 2018; a copy of which shall be **ATTACHED** to the original Minutes of this meeting.

# PURCHASE ORDER

No. 2019-00000772  
 DATE: 12/14/2018  
 PAGE: 1 of 1  
 FOB DESTINATION

Ship To

CITY OF TROY  
 Water  
 4693 ROCHESTER ROAD  
 TROY, MI 48085

Bill To

CITY OF TROY  
 Water  
 4693 ROCHESTER ROAD  
 TROY, MI 48085

**COUNCIL RESOLUTION**  
 2018-12-187-J-4a

**VENDOR NO. 173170**

Vendor

BUCK AND KNOBBY EQUIPMENT CO  
 6220 STERNS RD  
 OTTAWA LAKE, MI 49267

QUANTITY	UNIT	DESCRIPTION	UNIT COST	TOTAL COST
1	Each	6 inch Self Primed Centrifugal Trailer Mounted Pump Deliver one (1) Wacker Neuson Model #APT6T, 6" Trailer Mounted Centrifugal Trash Pump as specified and as per the bid pricing detailed in ITB-COT 18-53.	34,092.0000	\$34,092.00
				<b>\$34,092.00</b>

Entered By: MaryBeth Murz

**Special Instructions:**

CITY COUNCIL AWARD DATE: 12/3/2018.

**TERMS & CONDITIONS**

1. Purchases of Municipalities are exempt from State Sales and Federal Excise Taxes.
2. Prior to acceptance, vendor agrees to provide City with information under the Right-to-Know Law, P.A. 1986, No. 80, and fully comply with all terms and conditions of the Michigan Occupational Safety and Health Act, MCL 408.1001, et seq. including vendor shall provide City with an "MSDS". Vendor also agrees to be responsible for all required labeling.
3. In cases of emergency/disaster, the City can purchase up to six(6) times the order amount for a period of six(6) months at the price contained in the contract.
4. Purchase Orders are signed electronically based upon computer generated "on-line" authorized approvals. Authentic signatures are on file in the City of Troy Purchasing Department.

**NOTICE:** The City could put the vendor on notice that vendors will be held financially responsible for any claims or awards made against the City as a result of the vendor's action. If the City has to defend the initial lawsuit, the City will bring in the vendor as a co-defendant or sue the vendor, either as the result of settling a claim or the conclusion of the lawsuit.

I HEREBY CERTIFY THAT THIS ORDER IS PROPERLY AUTHORIZED AND APPROVED.

*MaryBeth Murz*

Opening Date: 11/15/2018  
 Reviewed Date: 11/20/2018

BID TABULATION  
 CITY OF TROY  
 TRASH PUMP

ITB-COT 18-53  
 Pg. 1 of 2

Vendor Name:	Fredrickson Supply, LLC	ALS Construction Equipment Corp.	Buck and Knobby Equipment Co.	CDPW, INC. dba Complete Dewatering
City:	Grand Rapids, MI	Multiple Locations	Ottawa Lake, MI	Edgewater, FL
Check #:	56566168	No Check	30569324	6658801180

**PROPOSAL: Furnish a new Gorman-Rupp Prime Aire Model #PA6C60-4045T 6" Centrifugal Trailer- Mounted Trash Pump; AS SPECIFIED, OR APPROVED EQUIVALENT.**

Qty	Description	Price	Price	Price	Price	Price
1	NEW GORMAN-RUPP PRIME AIRE MODEL #PA6C60-4045T 6" CENTRIFUGAL TRAILER-MOUNTED TRASH PUMP OR EQUIVALENT	No Bid	No Bid	No Bid	No Bid	No Bid

**OR APPROVED EQUIVALENT.**

Qty	Description	Price	Price	Price	Price	Price
1	Alternate Bid	\$35,300.00	\$37,600.00	\$38,189.00	\$34,092.00	\$41,850.00
		Wacker Neuson APT6 Self Priming Trash Pump	Godwin Model CD150M FT4	Generac Model MTP6DZV	Wacker Neuson Model APT6T	Isuzu Complete 6VATP-Iz4-CRP-W

Contact Information:	Sheri Norton	Craig Vick	James Moriarty II	Carl Calabrese
Hours of Operation:	8AM-5PM	None	7AM-5PM M-F	M-F 8AM-5PM
24 Hour Phone #:	616-949-2385	586-634-2760	734-347-8025	800-800-9562
Warranty	Y or N	2 Year 3,000 Hrs.	1 Year Full, 2 Year/2,000 Hrs. Engine Warranty	1 Year Limited, Engine Warranty
Onsite Training	Y or N	Y	Y	Y
References:	Y or N	Y	N	Y
Insurance Met:	Y or N	Y	Y	Y
Addendum:	Y or N	Y	N	Y
Payment Terms:		NET 25	NONE	NONE
Exceptions:	Y or N	NONE	NONE	Y, Venturi Priming System
Acknowledgement:	Y or N	Y	NONE	Y
Forms:	Y or N	Y	NONE	Y

Attest:  
 \_\_\_\_\_  
 Sue Reisterer  
 \_\_\_\_\_  
 Paul Trosper  
 \_\_\_\_\_  
 Kristine Kallek

\_\_\_\_\_  
 MaryBeth Murz,  
 Purchasing Manager

Opening Date: 11/15/2018  
 Reviewed Date: 11/20/2018

BID TABULATION  
 CITY OF TROY  
 TRASH PUMP

ITB-COT 18-53  
 Pg. 2 of 2

Vendor Name:	Mersino Dewatering, Inc.	DuBois- Cooper Associates, Inc.	Wastewater Solutions, LLC
City:	Davison, MI	Plymouth, MI	Boca Raton, FL
Check #:	9499907459	659958	6648603921

**PROPOSAL: Furnish a new Gorman-Rupp Prime Aire Model #PA6C60-4045T 6" Centrifugal Trailer- Mounted Trash Pump; AS SPECIFIED, OR APPROVED EQUIVALENT.**

Qty	Description	Price	Price	Price	Price
1	NEW GORMAN-RUPP PRIME AIRE MODEL #PA6C60-4045T 6" CENTRIFUGAL TRAILER-MOUNTED TRASH PUMP OR EQUIVALENT	No Bid	No Bid	\$44,450.00	No Bid

**OR APPROVED EQUIVALENT.**

Qty	Description	Price	Price	Price	Price
1	Alternate Bid	\$44,000.00	\$37,813.00	No Bid	\$49,412.00
		Global Pump-6GSTAPIKT4TIO-P-114HP	Global Pump-6GSTAPIKT4TIO-74HP		Wastecorp TFW6-M-DT Trash Flow

Contact Information:	Joe Cherluck	Jason Frederick	Arturo Garcia
Hours of Operation:	M-F 7AM-5PM	M-F 9AM-5AM	8AM-5PM
24 Hour Phone #:	866-MERSINO	734-455-6700	954-483-9269
Warranty	1 Year of 2,000 Hrs.	2 Year Limited or 2,000	1 Year from Install or 18 Months from ship date
Onsite Training	Y or N	Y	Y
References:	Y or N	Y	Y
Insurance Met:	Y or N	Y	Y
Addendum:	Y or N	Y	Y
Payment Terms:	30 NET	NET 30	NET 30
Exceptions:	Y or N	NONE	NONE
Acknowledgement:	Y or N	Y	Y
Forms:	Y or N	Y	Y



CITY OF TROY  
PROPOSAL

ITB-COT 18-53  
Page 1 of 7

The undersigned proposes to furnish a **NEW GORMAN-RUPP PRIME AIRE MODEL #PA6C60-4045T 6" CENTRIFUGAL TRAILER-MOUNTED TRASH PUMP FOR THE CITY OF TROY, WATER DEPARTMENT** in accordance with the attached bid specifications. The specifications are to be considered an integral part of this bid proposal, at the following prices:

COMPANY NAME: \_\_\_\_\_

PROPOSAL: Furnish a new Gorman-Rupp Prime Aire Model #PA6C60-4045T 6" Centrifugal Trailer-Mounted Trash Pump; AS SPECIFIED, OR APPROVED EQUIVALENT.			
Qty.	Description	Unit Price	Extension
1	Gorman-Rupp Pump Model#PA6C60-4045T; AS SPECIFIED	\$	\$
<b>Grand Total</b>			\$

OR APPROVED EQUIVALENT.			
Qty.	Description	Unit Price	Extension
1	GENERAC MODEL MTP6DZV	\$ 38,189.00	\$ 38,189.00
<b>Grand Total</b>			\$ 38,189.00

**NOTE:** All items of work noted in the specifications that are not specifically noted in the bid proposal shall be considered as included in the contract and shall be completed at no extra cost to the City of Troy.

Estimates given in the bid proposal are approximate and made in good faith.

**NOTE:** Include all delivery costs, handling and packaging in the unit cost (each) price.

**INFORMATION:** For additional general information or questions concerning this project please contact **MaryBeth Murz, Purchasing Manager**, at (248) 680-7291 or [M.Murz@troymi.gov](mailto:M.Murz@troymi.gov) between the hours of 8:00 a.m. and 4:00 p.m., Monday thru Friday.

**DESIGNATED CITY REPRESENTATIVE:** Paul Trosper, Water & Sewer Operations Manager (248) 524-3395 or [P.Trosper@troymi.gov](mailto:P.Trosper@troymi.gov) is the designated City Representative for this project.

**DESCRIPTIVE LITERATURE:** Please attach descriptive or pertinent literature specification or cut sheet(s) relevant to your company's bid proposal at the time of bid submission. It is attached and marked LITERATURE SHTS for identification.

COMPANY NAME: BUCK AND KNOBBY EQUIPMENT CO.



CITY OF TROY  
PROPOSAL

ITB-COT 18-53  
Page 1 of 7

The undersigned proposes to furnish a **NEW GORMAN-RUPP PRIME AIRE MODEL #PA6C60-4045T 6" CENTRIFUGAL TRAILER-MOUNTED TRASH PUMP FOR THE CITY OF TROY, WATER DEPARTMENT** in accordance with the attached bid specifications. The specifications are to be considered an integral part of this bid proposal, at the following prices:

COMPANY NAME: \_\_\_\_\_

PROPOSAL: Furnish a new Gorman-Rupp Prime Aire Model #PA6C60-4045T 6" Centrifugal Trailer-Mounted Trash Pump; AS SPECIFIED, OR APPROVED EQUIVALENT.			
Qty.	Description	Unit Price	Extension
1	Gorman-Rupp Pump Model#PA6C60-4045T; AS SPECIFIED	\$	\$
<b>Grand Total</b>			\$

OR APPROVED EQUIVALENT.			
Qty.	Description	Unit Price	Extension
1	WACKER NEUSON MODEL APT6T	\$ 34,092.00	\$ 34,092.00
<b>Grand Total</b>			\$ 34,092.00

**NOTE:** All items of work noted in the specifications that are not specifically noted in the bid proposal shall be considered as included in the contract and shall be completed at no extra cost to the City of Troy.

Estimates given in the bid proposal are approximate and made in good faith.

**NOTE:**

Include all delivery costs, handling and packaging in the unit cost (each) price.

**INFORMATION:**

For additional general information or questions concerning this project please contact **MaryBeth Murz, Purchasing Manager**, at (248) 680-7291 or [M.Murz@troymi.gov](mailto:M.Murz@troymi.gov) between the hours of 8:00 a.m. and 4:00 p.m., Monday thru Friday.

**DESIGNATED CITY REPRESENTATIVE:**

Paul Trosper, Water & Sewer Operations Manager (248) 524-3395 or [P.Trosper@troymi.gov](mailto:P.Trosper@troymi.gov) is the designated City Representative for this project.

**DESCRIPTIVE LITERATURE:**

Please attach descriptive or pertinent literature specification or cut sheet(s) relevant to your company's bid proposal at the time of bid submission. It is attached and marked LITERATURE SHT. for identification.

COMPANY NAME: BUCK AND KNOBBY EQUIPMENT CO.

**CONTACT INFORMATION:**

Hours of operation: 7AM - 5PM MONDAY THRU FRIDAY 24 Hour Phone No. 734 347 8025

Contact Person: JAMES MORIARTY II Phone No. 734 347 8025

Email: JAMESM@BUCKANDKNOBBY.COM

**WARRANTY:**

Manufacturer Warranty: SEE ATTACHED

Dealer Warranty: SAME AS ATTACHED WARRANTY SHEET FROM GENERAC MOBILE

**ONSITE TRAINING/INSTRUCTION:**

The awarded bidder shall be required to provide onsite training/instruction of the NEW PUMP as specified by a Company Representative at The Department of Public Works for a select group of employees. Onsite training/instruction shall be done as per the direction of Paul Trosper, Water & Sewer Operations Manager.

- ( X ) Our company is able to provide onsite training/instruction for the PUMP for the City of Troy.
- ( ) Our company is not able to provide onsite training/instruction for the PUMP for the City of Troy.

**DOWNPAYMENTS AND PREPAYMENTS:**

Any bid submitted which requires a down payment or prepayment for services prior to performance and acceptance, as being in conformance with specifications will not be considered for award. No payments will be made until work/ service is performed to the satisfaction of the authorized City representative.

**APPROVED ALTERNATES:**

The City of Troy's designated department representative or his/her designee will review all items submitted for consideration as approved alternates. Their decision as acceptability will be deemed in the City of Troy's best interest and will be final.

**MATERIAL AVAILABILITY:**

Bidders must accept responsibility for verification of material availability, production schedules, and other pertinent data prior to submission of their bid, and confirm delivery times. It is the responsibility of the bidder to notify the City immediately if items specified are discontinued, replaced, or not available for an extended period of time.

**DELIVERY:**

All items will be F.O.B. delivered as ready to the City of Troy Department of Public Works, 4693 Rochester Road, Troy MI, 48085 in accordance with the attached bid specifications.

**AWARD:**

The evaluation and award of this bid shall be a combination of factors, including but not limited to: cost, professional competence, equipment, references, submission of the schedule of values, and the correlation of the proposal submitted to the needs of the City of Troy.

The City of Troy reserves the right to award this bid to the lowest responsible total bidder meeting specifications; to reject low bids which have major deviations from specifications; to accept a higher bid which has only minor deviations; whatever is deemed to be in the City's best interest.

COMPANY NAME: BUCK AND KNOBBY EQUIPMENT CO.

**LOCAL PREFERENCE:**

The City of Troy reserves the right to award a contract to a local business, one which pays City of Troy taxes (real and/or personal), if the bid of a local vendor is within 5% of the lowest responsive and responsible non-local bidder, then the local vendor is given one chance to match the low bid.

**BID DEPOSIT AND FORFEITURE:**

The bid deposit of the lowest bidder shall be forfeit if, after bid opening, a change in the bid price or other provision of the bid is required by the bidder that is prejudicial to the interest of the City of Troy or fair competition.

**CONTRACT FORMS:**

Bidders should complete the Legal Status of Bidder, Non-Collusion Affidavit, Certification regarding Debarment, the Certification regarding "Iran Linked Business" and the Familial Disclosure Forms and return with your bid proposal.

**SUBCONTRACTORS:**

The undersigned agrees to submit a list of proposed subcontractors, if applicable, for approval by the designated City representative within 72 hours after notification of being the low qualified bidder. It will be understood that this may occur prior to bid award, but the bidder's status will not be final until approved by the Troy City Council.

It will be the successful bidder's responsibility to ensure that any subcontractor performing work on this project is capable of doing the work as specified. The designated City representative retains the right to evaluate the work performed by or on behalf of the successful bidder and reserves the right to reject any work performed that is not in accordance with the specifications or is considered to be poor workmanship. Payment will not be made until the successful bidder has corrected any deficiencies found to the satisfaction of the designated City representative.

**PURCHASE ORDER:**

After the Troy City Council has approved the award recommendation and acceptable insurance is received, the successful bidder will receive a purchase order issued from the City of Troy, which will create a bilateral contract between the City of Troy and the successful bidder. The purchase order shall commit the bidder to perform the contract in accordance with specifications. A contract document will not be issued.

**REFERENCES:**

The City of Troy requires that your company list at least three (3) clients who have recently had similar work and material installed by your company; specifically at Water Departments, Government entities or similar applications. If your company has done work for the City of Troy in the past, it is required the City be listed as one of your references.

COMPANY: CITY OF MONROE WATER DEPT.  
ADDRESS: 915 E. FRONT ST. MONROE, MI 48161  
PHONE: 734 241 6074 CONTACT: MARK GLADIEUX  
EMAIL: MARK.GLADIEUX@MONROEMI.GOV

COMPANY: FRENCHTOWN TWP. WATER DEPT.  
ADDRESS: 5300 N. DIXIE HWY. NEWPORT, MI 48166  
PHONE: 734 915 8799 CONTACT: RANDY KENDALL  
EMAIL: RANDYKENDALL19@GMAIL.COM

COMPANY: MONROE COUNTY ROAD COMMISSION  
ADDRESS: 840 S. TELEGRAPH RD. MONROE, MI 48161  
PHONE: 734 240 5100 CONTACT: RANDY PIERCE  
EMAIL: RPIERCE@ROAD-COMMISSION.CO.MONROE.MI.US

COMPANY NAME: BUCK AND KNOBBY EQUIPMENT CO.



**IMPORTANT:**

The City shall have the right to require by written order, changes in, additions to, or deductions from the work required by the bid documents provided that if changes, additions, or deductions are made, the general character of the work as a whole is not changed thereby. Adjustments in the Contract price, if any, because of any change, addition, or deduction in the work, shall be determined as hereinafter provided, and any claim for extension of time for completion shall be adjusted at the time of ordering the changes, additions, or deductions.

No claim for change, addition, or deduction, or adjusting of price, or extension of time for completion thereof, shall be made or allowed unless done in pursuance of written order from the City specifically authorizing such change, addition, or deduction. Drawings without a written order shall not be considered such authority. Written notice of such claims shall be made to the designated City representative before the commencement of the work.

COMPANY NAME: BUCK AND KNOBBY EQUIPMENT CO.

**INSURANCE:**

Insurance requirements shall be in accordance with the attached **SAMPLE INSURANCE CERTIFICATE** and **ENDORSEMENT**. The required Insurance Certificate and Endorsement must be submitted to the city within 5 days of the verbal/ electronic request after the bid award. The Insurance Certificate and Endorsement may be faxed to the Purchasing Office at (248) 619-7608, and is the only bid document accepted in this format.

The contractor, or any of their subcontractors, shall not commence work under this contract until they have obtained the insurance required, and shall keep such insurance in force during the entire life of this contract. All coverage shall be with insurance companies licensed and admitted to business in the State of Michigan and acceptable to the City of Troy. The requirements below should not be interpreted to limit the liability of the Contractor. All deductibles and self-insured retentions (SIR's) are the responsibility of the Contractor.

- ( X ) We can meet the specified insurance requirements.
  
- ( ) We cannot meet the specified insurance requirements.
  
- ( ) We do not carry the specified limits but can obtain the additional insurance coverage of \$ \_\_\_\_\_, at the cost of \$ \_\_\_\_\_.  
**NOTE:** Please note the amendments on a sample insurance certificate and attach it to your bid proposal.
  
- ( ) Our proposal is reduced by \$ \_\_\_\_\_ if we lower the requirement to \$ \_\_\_\_\_.  
**NOTE:** Please note the amendments on a sample insurance certificate and attach it to your bid proposal.

**IMPORTANT:** A Certificate of Insurance on an ACORD Form showing present coverage as well as the required endorsements **SHALL** be attached to the proposal document at the time of submission of the proposal to the Office of the City Clerk.

**NOTE:** Failure on the part of any bidder to contact his/her insurance carrier to verify that the insurance carried by the bidder meets City of Troy specifications may result in this proposal being completed incorrectly.

**OTHER:** Sole proprietors must execute a certificate of exemption from Worker's Compensation requirements or provide proof of Worker's Compensation Insurance. All coverage shall be with insurance carriers licensed and admitted to do business in Michigan in accordance with all applicable statutes of the State of Michigan and acceptable to the City of Troy.

**INSURANCE VERIFICATION:**

A bidder shall complete the above portion, which details additional costs that may be incurred for specified coverage without purchasing the additional coverage prior to bid submission.

**WORKERS' COMPENSATION INSURANCE,** including Employers' Liability Coverage, in accordance with all applicable statutes of the State of Michigan.

**COMMERCIAL GENERAL LIABILITY INSURANCE** on an "Occurrence Basis" with limits of liability not less than \$1,000,000.00 per occurrence and aggregate. Coverage shall include the following extensions: (A) Contractual liability; (B) Products and Completed Operations; (C) Independent Contractors Coverage; (D) Broad Form General Liability Extensions or equivalent, if not already included; (E) Deletion of all Explosion, Collapse, and Underground (XCU) Exclusions, if applicable.

COMPANY NAME: BUCK AND KNOBBY EQUIPMENT CO.

**AUTOMOBILE LIABILITY**, including Michigan No-Fault Coverages, with limits of liability not less than \$1,000,000.00 per occurrence combined single limit for Bodily Injury, and Property Damage. Coverage shall include all owned vehicles, all non-owned vehicles, and all hired vehicles.

**ADDITIONAL INSURED:**

Commercial General Liability and Automobile Liability, as described in the attached SAMPLE shall include an Additional Insured Endorsement stating the following shall be ***Additional Insureds***: The City of Troy including all elected and appointed officials, all employees and volunteers, all boards, commissions, and/or authorities and council members, including employees and volunteers thereof. It is understood and agreed by naming the City of Troy as additional insured, coverage afforded is considered to be primary and any other insurance the City of Troy may have in effect shall be considered secondary and/or excess.

**CANCELLATION NOTICE:**

All policies, as described above, shall include an endorsement stating that it is understood and agreed that Thirty (30) days, Ten (10) days for non-payment of premium, Advance Written Notice of Cancellation, Non-Renewal, Reduction, and/or Material Change shall be mailed to:

City of Troy  
Purchasing Manager  
500 West Big Beaver  
Troy, MI 48084

**PROOF OF INSURANCE COVERAGE:**

The Contractor shall provide the City of Troy, at the time that the contracts are returned by him/her for execution, a Certificate of Insurance as well as the required endorsements. In lieu of required endorsements, if applicable, a copy of the policy sections where coverage is provided for additional insured and cancellation notice would be acceptable. Copies or certified copies of all policies mentioned above all shall be furnished, if so requested.

If any of the applicable coverages expire during the term of this contract, the Contractor shall deliver renewal certificates and endorsements to the City of Troy at least ten (10) days prior to the expiration date.

COMPANY NAME: BUCK AND KNOBBY EQUIPMENT CO.

**SIGNATURE PAGE**

**PRICES:**

Prices shall remain firm for 60 days or bid award, whichever comes first, except the successful bidder whose prices shall remain firm through project completion.

SIGNATURE OF AUTHORIZED COMPANY REPRESENTATIVE:

*Raymond Cordrey*

**NOTE:**

The undersigned has checked carefully the bid figures and understands that he/she shall be responsible for any error or omission in this bid offer and is in receipt of all addenda as issued.

TAX ID: 34-0960355

COMPANY: Buck & Knobby Equipment Co., Inc.

ADDRESS: 6220 Sterns Rd CITY: Ottawa Lake STATE: MI ZIP: 49267

PHONE: 734 856-2811 FAX NUMBER: ( ) 734-856-2709

REPRESENTATIVE NAME: Raymond Cordrey  
(Print)

SIGNATURE OF AUTHORIZED COMPANY REPRESENTATIVE: *Raymond Cordrey*

PAYMENT TERMS: \_\_\_\_\_ WARRANTY: SEE ATTACHED SHEET

CHECK INCLUDED: \$2100.00 E-MAIL: RayCo.BuckAndKnobby.com

**EXCEPTIONS:**

Any exceptions, substitutions, deviations, etc. from the City of Troy specifications and this proposal must be stated below and reason for, and are an integral part of this bid proposal offer.

SEE ATTACHED SHEET

**ACKNOWLEDGEMENT:**

I, Raymond Cordrey, certify that I have read the **Instructions to Bidders** (2 Pages) and that the bid proposal documents contained herein were obtained directly from the City's Purchasing Department or MITN website, [www.mitn.info](http://www.mitn.info) and is an official copy of the Authorized Version.

SIGNATURE OF AUTHORIZED COMPANY REPRESENTATIVE:

*Raymond Cordrey*

**IMPORTANT:**

All City of Troy purchases require a MATERIAL SAFETY DATA SHEET, where applicable, in compliance with the MIOSHA "Right to Know" Law. Please include a copy of any relevant SDS at the time of bid submission.

**NOTE:**

The City of Troy, at their discretion, may require the bidder to supply a Financial Report from an impartial Financial Credit Reporting Service before award of contract.

**U.S. FUNDS:**

All prices are to be quoted in U. S. Currency.



## **BID SPECIFICATIONS**

### **6" Centrifugal Trailer-Mounted Trash Pump**

Gorman-Rupp Prime Aire Model # PA6C60-4045T 6" Centrifugal Trailer-Mounted Trash Pump as specified or approved equivalent.

#### Specifications:

- Unit shall be trailer-mounted with DOT lighting and brakes (preferred surge type, but electric accepted), capable of local road travel (45mph minimum)
- Trailer shall be equipped with a pintel type hitch
- Diesel motor driven/with cold weather package
- Engine shall be electric start, with included battery
- Engine and pump shall be controlled through integrated control panel with electronic governor to throttle engine and pump speeds, and complete set of gauges, including but not limited to Fuel level, oil pressure, engine temp, voltage
- Pump shall be equipped with 6" intake and 6" discharge outlets equipped with 6" NPT fittings
- Pump shall be capable of handling, and passing up to 3" solids
- Pump shall be equipped with a heated priming chamber (cold weather kit)
- Pump shall be self-priming, capable of dry priming and re-priming operations, specify type of self-priming system used.
- Pump shall be equipped with dual float switches and be capable of on/off, auto start operation that automatically starts and stops the engine/pump at the set float levels that are placed in liquid level being pumped.
- Pump shall have at minimum the capability to perform a 25 foot static suction lift.
- Pump specifications and pertinent literature shall accompany bid package, including but not limited to engine manufacture and specifications, fuel tank capacity, pump curves, pump design specifications, pump run time @  $\frac{3}{4}$  throttle per fuel tank capacity, control panel design and operational features, trailer design including suspension type, wheel size, frame material, DOT equipment specifications.
- Bid submission shall include a complete set of repair and maintenance manuals that encompass the entire operational systems including but not limited to Engine, Pump, Trailer, and Control systems.



November 2, 2018

Addendum 1

ITB-COT 18-53

CENTRIFUGAL TRAILER-MOUNTED TRASH PUMP

Page 1 of 3

To All Bidders:

Please be advised that the City of Troy Purchasing Department has authorized the following ANSWERS TO QUESTIONS regarding Bid Proposal ITB-COT 18-53, NEW GORMAN-RUPP PRIME AIRE MODEL #PA6C60-4045T 6" CENTRIFUGAL TRAILER-MOUNTED TRASH PUMP OR EQUIVALENT. The CHANGES will be considered an integral part of the original proposal documents.

QUESTION: Regarding ITB-COT 18-53 Pump Bid for the Gorman-Rupp Pump; are there any other specifications available? HP? Could be 45? Or 85?? RPM? Automatic start & stop?

ANSWER: Reference the specifications for the Gorman-Rupp Model PA6C60-4045T size 6" x 6" which shall include auto start and stop, with floats, and shall be rated at an 85 horse power @2200 RPM. Specifications for the Priming Assisted Centrifugal Pump w/Autostart Model PA6C60-4045T is included with this Addendum.

QUESTION: The specifications reference a cold weather package. Does that apply just to having a heater on the priming chamber or does the City require an enclosed unit?

ANSWER: The City is requiring a heater on the priming chamber and preferably glow plugs installed in the engine, no enclosure.

QUESTION: Regarding the suction and discharge outlets on the pump; verify that the City does not want any type of coupling to hook up hoses to such as a Dixon "Cam Lock" style, etc. The pump does come with 6" NPT threads, but does the City require them to be male or female threads?

ANSWER: The NPT Male thread is required. The City will fit connection couplings in house after the purchase. The City wants to match the couplings to what is currently being used.

QUESTION: If submitting an Alternate Bid response is prior approval required in order for the City to consider an Alternate Bid Submission?

ANSWER: The City specified the Gorman-Rupp Model PA6C60-4045T size 6" x 6" or Approved Equivalent. Prior approval for Alternates is NOT required. The City will review any/all submitted equivalents and make the determination if the equivalent is acceptable and is also in the best interest of the City.

I, the undersigned Bidder, have read this addendum and have integrated the changes into the Bid Proposal documents for ITB-COT 18-53, CENTRIFUGAL TRAILER-MOUNTED TRASH PUMP. All other items in the original proposal document remain the same. This addendum should be attached to the top of the proposal packet at the time of submission on or before Thursday, November 15, 2018 at 10:00 A.M., EDT in the Office of the City Clerk.

COMPANY: BUCK AND KNOBBY EQUIPMENT CO.

NAME OF REPRESENTATIVE: JAMES MORIARTY II

SIGNATURE OF AUTHORIZED REPRESENTATIVE: (Print) James Moriarty II

ADDRESS: 6220 STERNS RD. @ U.S. 23 OTTAWA LAKE, MI 49267

DATE: 11-13-18



**Legal Status of Bidder:**

**The Bidder shall fill out the appropriate form and strike out the other two:**

Buck & Knobby Equipment Co., Inc.

A corporation duly organized and doing business under the laws of the State of Ohio for whom Ray Cordrey, bearing the office title of President, whose signature is affixed to this proposal, is duly authorized to execute contracts.

~~A partnership, all members of which, with addresses, is:~~

~~\_\_\_\_\_  
\_\_\_\_\_  
\_\_\_\_\_  
\_\_\_\_\_  
\_\_\_\_\_  
\_\_\_\_\_~~

~~AN INDIVIDUAL, WHOSE SIGNATURE IS AFFIXED TO THE PROPOSAL:~~

~~\_\_\_\_\_~~



CITY OF TROY  
OAKLAND COUNTY, MICHIGAN  
NON-COLLUSION AFFIDAVIT

TO WHOM IT MAY CONCERN:

Raymond Coadrey, being duly sworn deposed, says that he/she  
(Print Full Name)

is President. The party making the foregoing proposal or bid,  
(State Official Capacity in Firm)

that such bid is genuine and not collusion or sham; that said bidder has not colluded, conspired, connived, or agree, directly or indirectly, with any bidder or person, to put in a sham bid or to refrain from bidding and has not in any manner directly or indirectly sought by agreement or collusion, or communication or conference, with any person to fix the bid price or affiant or any other bidder, or to fix any overhead, profit, or cost element of said bid price, or that of any other bidder, or to secure the advantage against the City of Troy or any person interested in the proposed contract; and that all statements contained in said proposal or bid are true.

Raymond Coadrey  
SIGNATURE OF PERSON SUBMITTING BID

L. Kathryn Nolfo  
NOTARY'S SIGNATURE

Subscribed and sworn to before me this 5th day of November, 2018  
in and for Monroe County.

My commission expires:

LAURIE KATHRYN NOLFO  
NOTARY PUBLIC MONROE CO. MI  
COMMISSION EXPIRES JUL 12, 2021







**CERTIFICATION REGARDING  
DEBARMENT, SUSPENSION, AND OTHER RESPONSIBILITY MATTERS**

The prospective participant certifies, to the best of its knowledge and belief, that it and its principals:

1. Are not presently debarred, suspended, proposed for debarment, declared ineligible, or voluntarily excluded from participation in transactions under any non-procurement programs by any federal, state or local agency.
2. Have not, within the three year period preceding, had one or more public transactions (federal, state, or local) terminated for cause or default; and
3. Are not presently indicted or otherwise criminally or civilly charged by a government entity (federal, state, or local) and have not, within the three year period preceding the proposal, been convicted of or had a civil judgment rendered against it:
  - a. For the commission of fraud or a criminal offense in connection with obtaining, attempting to obtain, or performing a public transaction (federal, state, or local), or a procurement contract under such a public transaction;
  - b. For the violation of federal, or state antitrust statutes, including those proscribing price fixing between competitors, the allocation of customers between competitors, or bid rigging; or
  - c. For the commission of embezzlement, theft, forgery, bribery, falsification or destruction of records, making false statements, or receiving stolen property.

I understand that a false statement on this certification may be grounds for the rejection of this proposal or the termination of the award. In addition, the general grant of this authority exists within the City's Charter, Chapter 12, Section 12.2- Contracts.

**I am able to certify to the above statements.**

Buck & Knobby Equipment Co., Inc.  
Name of Agency/Company/Firm (Please Print)

Raymond Cordrey President  
Name and title of authorized representative (Please Print)

Raymond Cordrey  
Signature of authorized representative  
Date

**I am unable to certify to the above statements. Attached is my explanation.**



**VENDOR CERTIFICATION  
THAT IT IS NOT AN  
"IRAN LINKED BUSINESS"**

Pursuant to Michigan law, (the Iran Economic Sanctions Act, 2012 PA 517, MCL 129.311 et seq.), before accepting any bid or proposal, or entering into any contract for goods or services with any prospective Vendor, the Vendor must first certify that it is not an "IRAN LINKED BUSINESS", as defined by law.

Vendor	
Legal Name	Buck & Knobby Equipment Co. Inc.
Street Address	6220 Sterns Rd
City	Ottawa Lake
State, Zip	MI 49267
Corporate I.D. Number/State	Ohio
Taxpayer I.D. #	340960355 Fed ID

The undersigned, with: 1.) full knowledge of all of Vendors business activities, 2.) full knowledge of the requirements and possible penalties under the law MCL 129.311 et seq. and 3.) the full and complete authority to make this certification on behalf of the Vendor, by his/her signature below, certifies that: the Vendor is NOT an "IRAN LINKED BUSINESS" as require by MCL 129.311 et seq., and as such that Vendor is legally eligible to submit a bid and be considered for a possible contract to supply goods and/or services to the City of Troy.

Signature of Vendor's Authorized Agent: Raymond Cordrey

Printed Name of Vendor's Authorized Agent: Raymond Cordrey

Witness Signature: Nick Liaros

Printed Name of Witness: Nick Liaros



**Proposer's Sworn and Notarized Familial Disclosure**

*(to be provided by the Proposer)*

The undersigned, the owner or authorized officer of Buck Knobby Equip (the "Proposer"), pursuant to the familial disclosure requirement provided in the Request for Proposal, hereby represent and warrant, except as provided below, that no familial relationships exist between the owner(s) or any employees of None and any member of the City of Troy City Council or City of Troy management.

**List any Familial Relationships:**

BIDDER: Raymond Cordrey

By: Raymond Cordrey  
Its: President

STATE OF MICHIGAN )  
LAURIE KATHRYN NOLFO )  
NOTARY PUBLIC MONROE CO. MI ) SS.  
COMMISSION EXPIRES JUL 12, 2021 )  
COUNTY OF Monroe )

This instrument was acknowledged before me on the 5th day of November, 2018, by  
L. K. Nolfo



# CERTIFICATE OF LIABILITY INSURANCE

DATE (MM/DD/YYYY)  
11/07/2018

THIS CERTIFICATE IS ISSUED AS A MATTER OF INFORMATION ONLY AND CONFERS NO RIGHTS UPON THE CERTIFICATE HOLDER. THIS CERTIFICATE DOES NOT AFFIRMATIVELY OR NEGATIVELY AMEND, EXTEND OR ALTER THE COVERAGE AFFORDED BY THE POLICIES BELOW. THIS CERTIFICATE OF INSURANCE DOES NOT CONSTITUTE A CONTRACT BETWEEN THE ISSUING INSURER(S), AUTHORIZED REPRESENTATIVE OR PRODUCER, AND THE CERTIFICATE HOLDER.

**IMPORTANT:** If the certificate holder is an ADDITIONAL INSURED, the policy(ies) must have ADDITIONAL INSURED provisions or be endorsed. If SUBROGATION IS WAIVED, subject to the terms and conditions of the policy, certain policies may require an endorsement. A statement on this certificate does not confer rights to the certificate holder in lieu of such endorsement(s).

PRODUCER Jordan Delling	CONTACT NAME: Sentry Customer Service	FAX (A/C. No.): 800-514-7191
	PHONE (A/C. No. Ext): 800-473-6879	
	EMAIL ADDRESS: businessproducts_direct@sentry.com	
	INSURER(S) AFFORDING COVERAGE	
	INSURER A : Sentry Select Insurance Company	NAIC # 21180
INSURED Buck & Knobby Equipment Co Inc 6220 Stems Rd Ottawa Lake, MI 49267-9524	INSURER B :	
	INSURER C :	
	INSURER D :	
	INSURER E :	
	INSURER F :	
	INSURER F :	

### COVERAGES

CERTIFICATE NUMBER: 1067416

REVISION NUMBER:

THIS IS TO CERTIFY THAT THE POLICIES OF INSURANCE LISTED BELOW HAVE BEEN ISSUED TO THE INSURED NAMED ABOVE FOR THE POLICY PERIOD INDICATED. NOTWITHSTANDING ANY REQUIREMENT, TERM OR CONDITION OF ANY CONTRACT OR OTHER DOCUMENT WITH RESPECT TO WHICH THIS CERTIFICATE MAY BE ISSUED OR MAY PERTAIN, THE INSURANCE AFFORDED BY THE POLICIES DESCRIBED HEREIN IS SUBJECT TO ALL THE TERMS, EXCLUSIONS AND CONDITIONS OF SUCH POLICIES. LIMITS SHOWN MAY HAVE BEEN REDUCED BY PAID CLAIMS.

INSR LTR	TYPE OF INSURANCE	ADDL INSR	SUBR WVD	POLICY NUMBER	POLICY EFF (MM/DD/YYYY)	POLICY EXP (MM/DD/YYYY)	LIMITS	
A	<input checked="" type="checkbox"/> COMMERCIAL GENERAL LIABILITY	X		2565496004	11/15/2018	11/15/2019	EACH OCCURRENCE	\$ 500,000
	<input type="checkbox"/> CLAIMS-MADE <input checked="" type="checkbox"/> OCCUR						DAMAGE TO RENTED PREMISES (Ea occurrence)	\$ 100,000
							MED EXP (Any one person)	\$ 5,000
							PERSONAL & ADV INJURY	\$ 500,000
	GEN'L AGGREGATE LIMIT APPLIES PER:						GENERAL AGGREGATE	\$ 1,500,000
	<input checked="" type="checkbox"/> POLICY <input type="checkbox"/> PRO-JECT <input type="checkbox"/> LOC						PRODUCTS - COMP/OP AGG	\$ 1,500,000
	OTHER:							\$
A	<b>AUTOMOBILE LIABILITY</b>	X		2565496005	11/15/2018	11/15/2019	COMBINED SINGLE LIMIT (Ea accident)	\$ 500,000
	<input checked="" type="checkbox"/> ANY AUTO						BODILY INJURY (Per person)	\$
	<input type="checkbox"/> OWNED AUTOS ONLY <input type="checkbox"/> SCHEDULED AUTOS						BODILY INJURY (Per accident)	\$
	<input type="checkbox"/> HIRED AUTOS ONLY <input type="checkbox"/> NON-OWNED AUTOS ONLY						PROPERTY DAMAGE (Per accident)	\$
							\$	
A	<input checked="" type="checkbox"/> UMBRELLA LIAB <input checked="" type="checkbox"/> OCCUR			2565496006	11/15/2018	11/15/2019	EACH OCCURRENCE	\$ 11,000,000
	<input checked="" type="checkbox"/> EXCESS LIAB <input type="checkbox"/> CLAIMS-MADE						AGGREGATE	\$ 33,000,000
	DED						RETENTION \$	PRODUCTS - COMP/OP AGG
A	<b>WORKERS COMPENSATION AND EMPLOYERS' LIABILITY</b>	Y/N	N/A	2565496008	11/15/2018	11/15/2019	<input checked="" type="checkbox"/> PER STATUTE <input type="checkbox"/> OTH-ER	
	ANY PROPRIETOR/PARTNER/EXECUTIVE OFFICER/MEMBER EXCLUDED? (Mandatory in NH)						E.L. EACH ACCIDENT	\$ 500,000
	If yes, describe under DESCRIPTION OF OPERATIONS below						E.L. DISEASE - EA EMPLOYEE	\$ 500,000
							E.L. DISEASE - POLICY LIMIT	\$ 500,000

DESCRIPTION OF OPERATIONS / LOCATIONS / VEHICLES (ACORD 101, Additional Remarks Schedule, may be attached if more space is required)  
Refer to attached

### CERTIFICATE HOLDER

City of Troy  
500 W Big Beaver Rd  
Troy, MI 48084-5254

### CANCELLATION

SHOULD ANY OF THE ABOVE DESCRIBED POLICIES BE CANCELLED BEFORE THE EXPIRATION DATE THEREOF, NOTICE WILL BE DELIVERED IN ACCORDANCE WITH THE POLICY PROVISIONS.

AUTHORIZED REPRESENTATIVE

*John Heyland*

ACORD 25 (2016/03)  
2565496  
Sentry Select Insurance Company  
1 00001 000000000 18311 0 N



AGENCY CUSTOMER ID: XXXXXX0355

LOC #: \_\_\_\_\_

Page 2 of 2

### ADDITIONAL REMARKS SCHEDULE

<b>AGENCY</b> Jordan Delling		<b>NAMED INSURED</b> Buck & Knobby Equipment Co Inc	
<b>POLICY NUMBER</b> 2565496004			
<b>CARRIER</b> Sentry Select Insurance Company	<b>NAIC CODE</b> 21180	<b>EFFECTIVE DATE:</b> 11/15/2018	

#### ADDITIONAL REMARKS

THIS ADDITIONAL REMARKS FORM IS A SCHEDULE TO ACORD FORM,

FORM NUMBER: ACORD 25    FORM TITLE: Certificate of Liability Insurance

#### General Liability

Insurance is primary and non contributory,

**THIS ENDORSEMENT CHANGES THE POLICY. PLEASE READ IT CAREFULLY.**

**ADDITIONAL INSURED - OWNERS, LESSEES OR  
CONTRACTORS - COMPLETED OPERATIONS**

This endorsement modifies insurance provided under the following:

COMMERCIAL GENERAL LIABILITY COVERAGE PART  
PRODUCTS/COMPLETED OPERATIONS LIABILITY COVERAGE PART

**SCHEDULE**

Name Of Additional Insured Person(s) Or Organization(s)	Location And Description Of Completed Operations
City of Troy	All locations and service work performed
Information required to complete this Schedule, if not shown above, will be shown in the Declarations.	

**A. Section II - Who Is An Insured** is amended to include as an additional insured the person(s) or organization(s) shown in the Schedule, but only with respect to liability for "bodily injury" or "property damage" caused, in whole or in part, by "your work" at the location designated and described in the Schedule of this endorsement performed for that additional insured and included in the "products-completed operations hazard".

However:

1. The insurance afforded to such additional insured only applies to the extent permitted by law; and
2. If coverage provided to the additional insured is required by a contract or agreement, the insurance afforded to such additional insured will not be broader than that which you are required by the contract or agreement to provide for such additional insured.

**B.** With respect to the insurance afforded to these additional insureds, the following is added to **Section III - Limits Of Insurance:**

If coverage provided to the additional insured is required by a contract or agreement, the most we will pay on behalf of the additional insured is the amount of insurance:

1. Required by the contract or agreement; or
2. Available under the applicable Limits of Insurance shown in the Declarations;

whichever is less.

This endorsement shall not increase the applicable Limits of Insurance shown in the Declarations.

**Change effective 11/15/2018**

**CG 20 37 04 13**

2565496

Sentry Select Insurance Company

© Insurance Services Office, Inc., 2012

**Page 1 of 1**

11/07/2018

**THIS ENDORSEMENT CHANGES THE POLICY. PLEASE READ IT CAREFULLY.**

**ADDITIONAL INSURED - OWNERS, LESSEES OR CONTRACTORS - SCHEDULED PERSON OR ORGANIZATION**

This endorsement modifies insurance provided under the following:

COMMERCIAL GENERAL LIABILITY COVERAGE PART

**SCHEDULE**

Name Of Additional Insured Person(s) Or Organization(s)	Location(s) Of Covered Operations
City of Troy	All Locations Description: All Jobs
Information required to complete this Schedule, if not shown above, will be shown in the Declarations.	

**A. Section II - Who Is An Insured** is amended to include as an additional insured the person(s) or organization(s) shown in the Schedule, but only with respect to liability for "bodily injury", "property damage" or "personal and advertising injury" caused, in whole or in part, by:

1. Your acts or omissions; or
2. The acts or omissions of those acting on your behalf;

in the performance of your ongoing operations for the additional insured(s) at the location(s) designated above.

However:

1. The insurance afforded to such additional insured only applies to the extent permitted by law; and
2. If coverage provided to the additional insured is required by a contract or agreement, the insurance afforded to such additional insured will not be broader than that which you are required by the contract or agreement to provide for such additional insured.

**B.** With respect to the insurance afforded to these additional insureds, the following additional exclusions apply:

This insurance does not apply to "bodily injury" or "property damage" occurring after:

1. All work, including materials, parts or equipment furnished in connection with such work, on the project (other than service, maintenance or repairs) to be performed by or on behalf of the additional insured(s) at the location of the covered operations has been completed; or
2. That portion of "your work" out of which the injury or damage arises has been put to its intended use by any person or organization other than another contractor or subcontractor engaged in performing operations for a principal as a part of the same project.

Change effective 11/15/2018

CG 20 10 04 13

2565496

Sentry Select Insurance Company

© Insurance Services Office, Inc., 2012

Page 1 of 2

11/07/2018

C. With respect to the insurance afforded to these additional insureds, the following is added to **Section III - Limits Of Insurance:**

If coverage provided to the additional insured is required by a contract or agreement, the most we will pay on behalf of the additional insured is the amount of insurance:

1. Required by the contract or agreement; or

2. Available under the applicable Limits of Insurance shown in the Declarations;

whichever is less.

This endorsement shall not increase the applicable Limits of Insurance shown in the Declarations.



**THIS ENDORSEMENT CHANGES THE POLICY. PLEASE READ IT CAREFULLY.**  
**NOTICE OF CANCELLATION - CERTIFICATE HOLDERS**

This endorsement modifies insurance provided under the following:

BUSINESSOWNERS COVERAGE FORM  
COMMERCIAL AUTOMOBILE COVERAGE PARTS  
COMMERCIAL PROPERTY COVERAGE PART  
CRIME AND FIDELITY COVERAGE PART  
COMMERCIAL INLAND MARINE COVERAGE PART  
COMMERCIAL GENERAL LIABILITY COVERAGE PARTS  
COMMERCIAL EXCESS/UMBRELLA LIABILITY COVERAGE FORM  
EMPLOYMENT RELATED PRACTICES LIABILITY  
POLLUTION LIABILITY COVERAGE  
ERRORS AND OMISSIONS COVERAGE FORM

In the event we cancel this policy, we shall endeavor to also mail to the person(s) or organization(s) listed in the Schedule for this endorsement advance written notice of cancellation.

This notification of cancellation of the policy is intended as a courtesy only. Our failure to provide such notification to the person(s) or organization(s) shown in the Schedule will not extend any policy cancellation date nor impact or negate any cancellation of the policy. This endorsement does not entitle the person(s) or organization(s) listed or described in the Schedule below to any benefit, rights or protection under this policy.

Failure by us to provide this notice of cancellation to the person(s) or organization(s) listed or described in the Schedule below will not impose liability of any kind upon us.

Any of these provisions that conflict with a law that controls the notice of cancellation of the insurance in this endorsement is changed by this statement to comply with the law.

**Schedule**

Person(s) or Organization(s) including mailing address:

City of Troy  
500 W Big Beaver Rd  
Troy, MI 48084-5254

All other terms and conditions of this policy remain unchanged.

**Change effective 11/15/2018**

**IL 70 58 02 14**

2565496

Sentry Select Insurance Company

1 00001 0000000000 18311 0 N

5886b2db-c930-4dda-9790-4dcd35e4e45

0027020044347438057948084528500

**Page 1 of 1**

11/07/2018

## SALES QUOTATION

**Jim Moriarty-Sales Consultant**

Buck & Knobby Equipment Co. Inc.  
 6220 Sterns Road, Exit 1 at US23  
 Ottawa Lake, MI 49267  
 734-856-2811 734-856-2709 FAX  
 734-347-8025 Cell

[www.buckandknobby.com](http://www.buckandknobby.com)  
[jamesm@buckandknobby.com](mailto:jamesm@buckandknobby.com)

CITY OF TROY

500 W. BIG BEAVER RD.

TROY, MI 48084

PUMP BID # ITB-COT 18-53

Date: 11/14/18

QUANTITY	DESCRIPTION	AMOUNT
1	NEW GENERAC 6" SELF PRIMING TRASH PUMP MODEL MTP6DZV / DEUTZ	\$38,189.00
	75HP. TIER 4 FINAL TURBO DIESEL ENGINE / TRAILER MOUNTED / PINTLE	
	HITCH / PUMP HANDLES 3" SOLIDS / COLD WEATHER KIT INCLUDES:	
	60/40 COOLANT, BLOCK HEATER & A HEATED FUEL FILTER / HYD. SURGE	
	BRAKES / SEE SPEC SHEETS FOR FULL FEATURE LISTING / YOU CAN	
	ALSO VISIT <a href="http://WWW.GENERACMOBILEPRODUCTS.COM">WWW.GENERACMOBILEPRODUCTS.COM</a>	
1	LEAD TIME: 4-6 WEEKS AS OF 11-14-18	
1	NEW WACKER NEUSON 6" SELF PRIMING TRASH PUMP MODEL APT6T	\$34,092.00
	JOHN DEERE 74HP. TIER 4 FINAL TURBO DIESEL ENGINE / PINTLE HITCH	
	TRAILER MOUNTED / HYD. SURGE BRAKES / ENGINE BLOCK HEATER	
	SEE SPEC SHEETS FOR FULL FEATURE LISTING / YOU CAN ALSO VISIT	
	<a href="http://WWW.WACKERNEUSON.US">WWW.WACKERNEUSON.US</a>	
1	LEAD TIME: 16 WEEKS AS OF 11-14-18	
	Call me anytime with any questions. Thanks for the opportunity to earn the city's	
	business. <span style="float: right;">Jim Moriarty</span>	

ABOVE PRICES GOOD FOR 30 DAYS.

# WET & DRY PRIME

Mobile Trash Pumps

**GENERAC**  
MAGNUM



Our website uses cookies so that we can provide you with the best user experience. To read more about the cookies we use, see our [privacy policy](#).

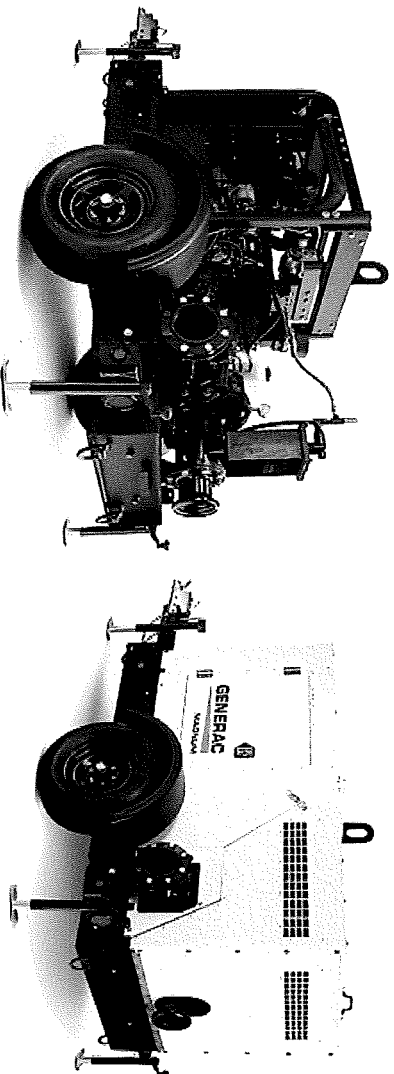
**SELECT YOUR REGION**



## Products – Pumps

MTP6DZV 6" Venturi Dry Prime Trash Pump

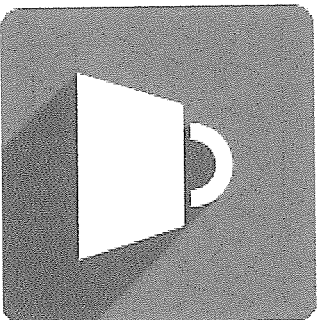
Model: MTP6DZV



About the MTP6DZD 6" Diaphragm Dry Prime Trash Pump

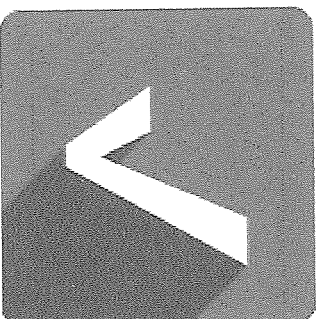
This diesel-powered trash pump features a high performance priming system and handles solids up to 3 in. (76.2 mm) in diameter. The final tier 4 engine meets EPA regulations for reduced emissions.

## Features & Benefits



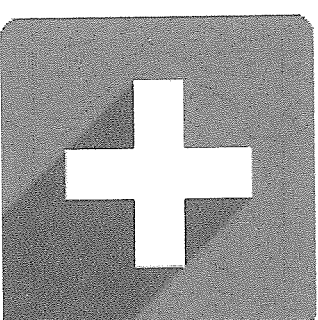
### POWERFUL & DURABLE

- High efficiency pump end with best-in-class, lowest suction/discharge height
- High performance priming system
- Handles solids up to 3 in. (76.2 mm) in diameter
- Durable steel roll cage protects pump radiator and other components from damage
- Run-Dry system for continuous operations without need for external flush water or venting



### EASY TO USE

- Designed for easy service and maintenance
- LOFA CP750 digital controller with large, back-tilt LCD display
- Automatic start/stop control for use with two-switch inputs
- Easy conversion to optional sound attenuated flip hood cabinet (dry prime models only)



### ADDITIONAL FEATURES

- Final Tier 4 Engine
- Built-in containment for all engine fluids
- Four-corner leveling for stability and complete fuel usage
- Pad-lockable battery box
- Flip tongue no-weld, removable front plate hitch assembly
- Optional sound attenuated flip hood cabinet (dry prime models only)

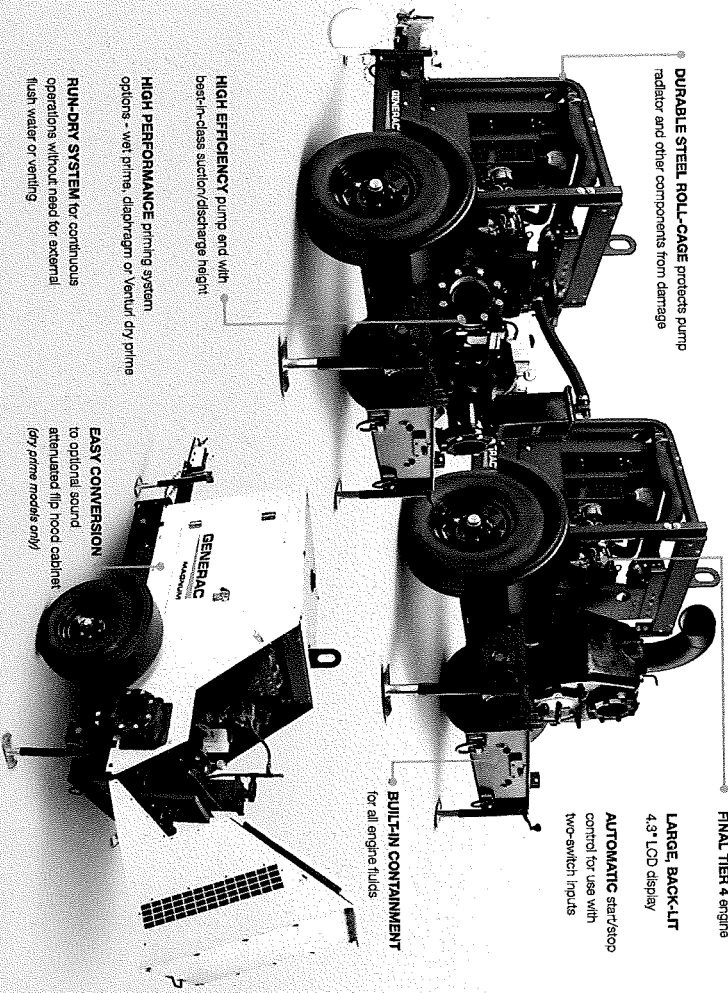
© 2018 Generac Power Systems, Inc. All rights reserved.

# WET & DRY PRIME MOBILE TRASH PUMPS

With the lowest suction height in the industry and final tier 4 engines, Generac | Magnum trash pumps are designed for ultimate performance - allowing for fast and efficient high volume dewatering projects. A choice of wet prime and dry prime options allow you to specify the perfect pump for your needs. Wet prime pumps offer excellent value, while dry prime options enhance efficiency and enable faster pump priming and set-up. Durable and reliable Cornell® pump components mean less downtime on the job. Final tier 4 engines maximize fuel efficiency and minimize jobsite emissions. For jobsites in sound-sensitive locations, an optional sound attenuated flip-hood cabinet provides quiet operation. All models handle water and solids up to 3 inches (76.2 mm) in diameter and operate for extended run times to ensure that your worksite is clean and ready for the next phase. The LOFA controller with back-lit LCD display makes operation hassle-free.

## APPLICATIONS

- General Construction
- Road Work
- Municipal Projects
- Mining Operations
- Excavation Projects
- Sewer Bypass



**DURABLE STEEL ROLL-CAGE** protects pump radiator and other components from damage

**HIGH EFFICIENCY** pump and with best-in-class suction/discharge height

**HIGH PERFORMANCE** priming system options - wet prime, diaphragm or Venturi dry prime

**EASY CONVERSION** to optional sound attenuated flip hood cabinet (dry prime models only)

**FINAL TIER 4** engine

**LARGE, BACK-LIT** 4.3" LCD display

**AUTOMATIC** start/stop control for use with two-switch inlets

**BUILT-IN CONTAINMENT** for all engine fluids

## SPECIFICATIONS

Additional options available

	MT-P4DZD	MT-P4DZV	MT-P4SZ	MT-P6DZD	MT-P6DZV	MT-P6SZ
<b>Engine</b>	USA (METRIC)			Deutz TD2.9 (6' pumps)		
<b>Brand</b>	Deutz D2.9 (4' pumps)			Deutz TD2.9 (6' pumps)		
<b>Type</b>	Water-cooled, naturally aspirated, 4 cylinder			Water-cooled, turbo-charged, 4 cylinder		
<b>Operating Speed: hp (rpm)</b>	49 (2600)			75/2600		
<b>Tier</b>	Final 4			LOFA-CP750		
<b>Controller</b>	LOFA-CP750			LOFA-CP750		
<b>Performance</b>	1450 (5489)		900 (3407)		2750 (10409)	
<b>Pump Output: gpm (Lpm)</b>	155 (60.29)		150 (64.7)		1880 (6359)	
<b>Total Dynamic Head: ft (m)</b>	3 (76.2)		28 (8.5)		170 (52)	
<b>Max. Solid Diameter: in (mm)</b>	28 (8.5)		3 (76.2)		3 (76.2)	
<b>Max. Lift Suction: ft (m)</b>	28 (8.5)		3 (76.2)		3 (76.2)	
<b>Pump Brand</b>	Cornell 4NNTL Pump		Cornell 4STX		Cornell 6NNTL Pump	
<b>Brand</b>	4 NPTF		6 NPTF		6 NPTF	
<b>Fitting Size</b>	Diaphragm - Dry		Venturi - Dry		Self Prime - Wet	
<b>Priming System</b>	29 (0.73)		39 (1.0)		30 (0.76)	
<b>Trailer Mounted Suction Height: in (m)</b>	113 (428)		113 (428)		41 (1.04)	
<b>Capacities</b>	113 (428)		113 (428)		41 (1.04)	
<b>Fuel Tank Capacity: gal (L)</b>	113 (428)		113 (428)		41 (1.04)	
<b>Trailer</b>	Flip-tongue design		Flip-tongue design		Flip-tongue design	
<b>Tongue</b>	2 in. (50.8 mm) Ball		2 in. (50.8 mm) Ball		2 in. (50.8 mm) Ball	
<b>Axle: lbs (kg)</b>	2 in. (50.8 mm) Ball		2 in. (50.8 mm) Ball		2 in. (50.8 mm) Ball	
<b>Brakes</b>	Surge		Surge		Surge	
<b>Standard Hitch</b>	2 in. (50.8 mm) Ball		2 in. (50.8 mm) Ball		2 in. (50.8 mm) Ball	
<b>Weight &amp; Dimensions</b>	150.12 x 75 x 73.88 (3.81 x 1.91 x 1.88)		150.12 x 75 x 73.88 (3.81 x 1.91 x 1.88)		150.12 x 75 x 73.88 (3.81 x 1.91 x 1.88)	
<b>Trailer Mounted: in (m)</b>	91.16 x 66.6 x 61.5 (2.32 x 1.69 x 1.56)		91.16 x 66.6 x 61.5 (2.32 x 1.69 x 1.56)		91.16 x 66.6 x 61.5 (2.32 x 1.69 x 1.56)	
<b>Skid Mounted: in (m)</b>	4275 (1339)		4275 (1339)		4275 (1339)	
<b>Trailer Mounted: Dry Weight: lbs (kg)</b>	3886 (1740)		3886 (1740)		3886 (1740)	
<b>Trailer Mounted: Operating Weight: lbs (kg)</b>	4650 (2109)		4650 (2109)		4650 (2109)	
<b>Trailer Mounted: Cabined Weight: lbs (kg)</b>	TBA		TBA		TBA	
<b>Trailer Mounted: Cabined Weight: lbs (kg)</b>	TBA		TBA		TBA	

\*Cabinet option not available on wet prime models.

**GENERAC** | **MOBILE  
PRODUCTS**

LIGHT TOWERS | GENERATORS | PUMPS | HEATERS

Looking for more pump options?

Check out additional dewatering solutions, and our complete line of mobile equipment, at [GeneracMobileProducts.com](http://GeneracMobileProducts.com).

24/7 • 365 Nationwide Service Support Network;  
because when you're on the job, we're on the job.



**Assembled & Built  
in the USA**

Part No. 0202550 REV. A 02/2016  
©2016 Generac Power Systems, Inc. All Rights Reserved.  
Specifications are subject to change without notice.

**GENERAC**

**MAGNUM**

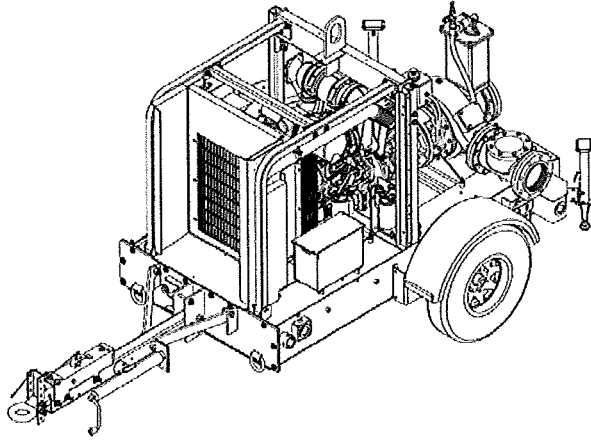
Generac Mobile Products  
215 Power Drive, Berlin, WI 54923  
[GeneracMobileProducts.com](http://GeneracMobileProducts.com) | 500-926-9768 | 920-361-4442

# MTP6DZV

VENTURI DRY PRIME  
MOBILE TRASH PUMP  
with Enclosure Option

**GENERAC** | **MOBILE**

SPECIFICATIONS



## ENGINE

- Deutz TD 2.9 L4 – water-cooled, turbo-charged diesel engine
  - 75 hp @ 2600 rpm
  - 4 cylinder
  - 2.9 Liter displacement
  - DOC only for exhaust after treatment
  - EPA Final Tier 4 approved
  - Steel, single wall fuel tank
    - 113 gal. (428 L) capacity / 100 gal. (379 L) usable
- Fuel consumption at prime: 100% - 3.60 gph (13.6 Lph)
- Cooling system capable of operating at 120°F (49°C) ambient
- Disposable air filter – paper element
- 950 CCA wet cell battery
- 95 Amp alternator
- Low coolant warning/shutdown

## PUMP

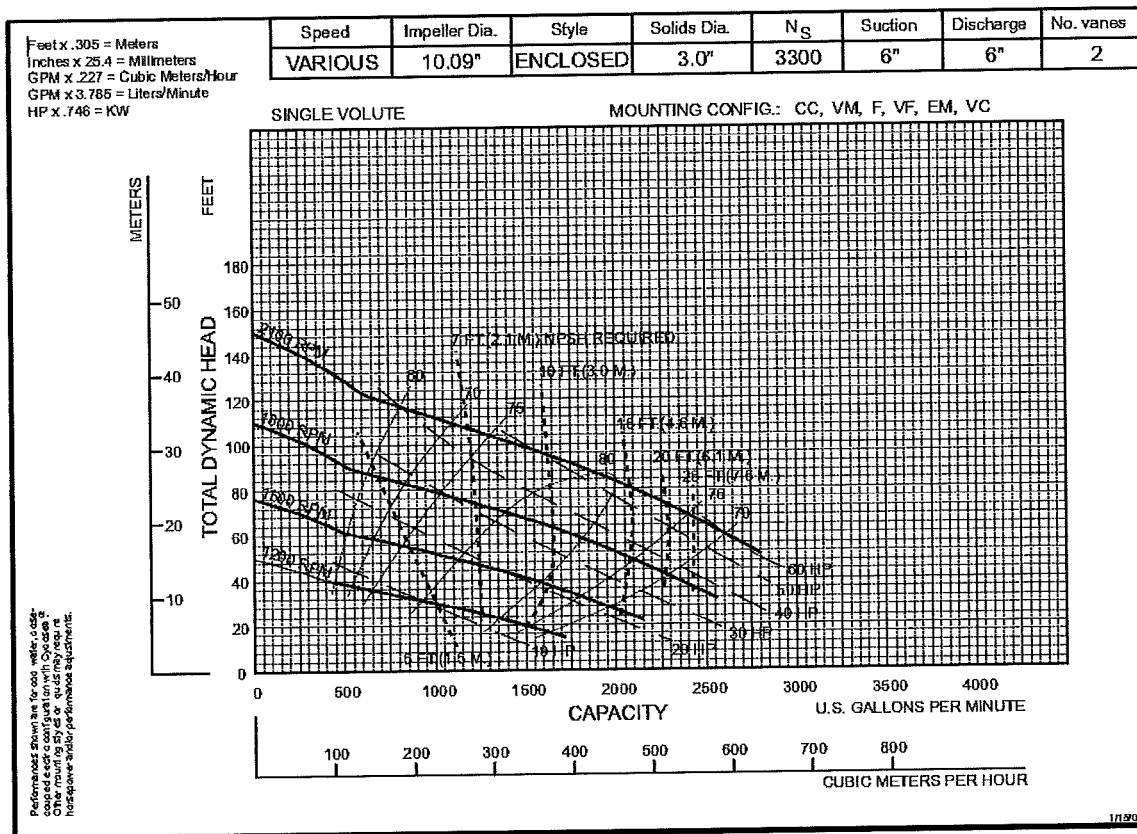
- Cornell 6NNT; Venturi Dry Prime Centrifugal Pump
- Bendix compressor flow up to 13.2 CFM
- 6 in. NPTF – suction & discharge connection
- Cast Iron ASTM A48 Class 30 pump casing
- Cast Iron ASTM A48, Class 30 impeller
- 2 vane, enclosed impeller
- Impeller design incorporated with deflector vanes and pumpout vanes
- Single mechanical seal, John Crane Type 1 & 2, with tungsten carbide vs silicon carbide faces
- Replaceable wear ring
- Run-dry system for continuous operations without need for external flush water or venting
- Pump shaft - 1144 stress proof steel



**PUMP PERFORMANCE**

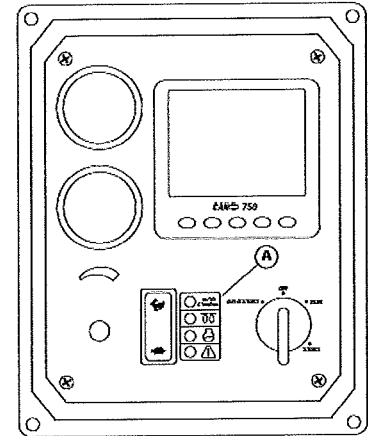
- Pump output – 2750 gpm (10409 Lpm)
- Lift suction – 28 ft. (8.5 m)
- Maximum diameter of solids – 3 in. (76.2 mm)
- Impeller diameter: 10.09 in. (25.63 cm)
- Maximum efficiency (BEP Percent) – 80% BEP Flow; 1900 gpm (7192 Lpm)
- Total dynamic head – 150 ft. (45.72 m)
- Intake/discharge height – 30 in. (0.76m)
- Duty points:
  - 1400 gpm (5300 Lpm) @ 69.8 ft. (21.3 m) TDH @ 1800 RPM, 80% efficiency, NPSHR 8.2 ft. (2.5 m)
  - 2000 gpm (7571 Lpm) @ 72.8 ft. (22.2 m) TDH @ 2000 RPM, 80% efficiency, NPSHR 15.2 ft. (4.6 m)

**FLOW CHART / PUMP CURVE**



### SYSTEM CONTROLS

- White LED lighting control panel lighting
- Standard controller – LOFA CP750
  - Large, backlit 4.3 in. (109 mm) LCD display
    - Displays engine temp, engine speed, fuel level, engine hrs., coolant temp, and oil pressure
  - Advanced automatic start/stop control for use with two-switch inputs and 4-20mA transducer
  - Configurable high and low set points control start/stop operation
  - Alarm output to signal start warning or shutdown conditions
  - Heavy-duty IP64 water-resistant key switch with booted key
  - RS485 serial interface for auxiliary equipment
  - Electronic e-stop with red LED engagement indicator light



### TRAILER

- Flip-tongue design
- Bolt-on, replaceable front tongue mounting plate
- DOT approved LED tail, side, brake, and directional lights
- (4) transportation tie downs capable of handling 3 in. ( 76.2 mm) trailer straps
- Safety chains with spring loaded safety hooks
- 2 in. (50.8 mm) adjustable ball hitch
- 6000 lb. (2722 kg) torsion axle with surge brakes
- 2000 lb. (907 kg) tongue jack with footplate
- (2) 2000 lb. (907 kg) top wind jacks, with option to add up to (4)
- ST225/75R15 tubeless tires – 8 ply
- UV & fade resistant, high temperature cured, black polyester power paint
- Central lifting point
- Document holder with operating manual including the AC/DC wiring diagrams

### WEIGHT & DIMENSIONS

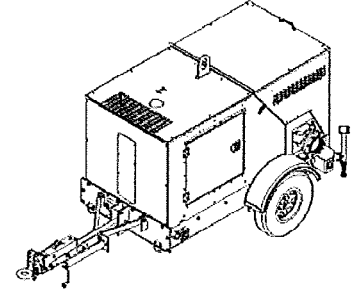
- Trailer Mounted
  - Dry weight: 3,841 lbs. (1,742 kg)
  - Operating weight: 4,655 lbs. (2,111 kg)
  - Dimensions: 150.12 x 75.00 x 73.88 in. (3.81 x 1.91 x 1.88 m)
- Skid Mount
  - Dry weight: 3,221 lbs. (1,461 kg)
  - Operating weight: 4,035 lbs. (1,830 kg)
  - Dimensions: 91.16 x 66.60 x 61.50 in. (2.32 x 1.91x 1.88 m)

### WARRANTY

1 Year, Unlimited Hours / 2 Years, 2000 Hours; See warranty policy for complete details

**ENCLOSURE OPTION**

- Aluminum, sound attenuated enclosure; insulated and baffled
- Field fitment of enclosure without need to modify trailer
- UV & fade resistant, high temperature cured, white polyester powder paint
- Stainless steel hinges on all doors
- Fully lockable enclosure including doors and fuel fill
- Rear cabinet opens to allow for full access to pump and bearing frame for ease of service or pump replacement without needing to remove any cabinet or panels
- (2) side access doors open 90 degrees for easy access to pump controller and engine service points with positive stay hinges
- Easy access from top of cabinet for radiator fill and inspection

**WEIGHT & DIMENSIONS with ENCLOSURE**

- Trailer Mounted
  - Dry weight: 4,090 lbs. (1,855 kg)
  - Operating weight: 4,904 lbs. (2,224 kg)
  - Dimensions: 150.12 x 75.00 x 73.88 in. (3.81 x 1.91 x 1.88 m)
- Skid Mount
  - Dry weight: 3,470 lbs. (1,574 kg)
  - Operating weight: 4,284 lbs. (1,943 kg)
  - Dimensions: 91.16 x 66.60 x 61.50 in. (2.32 x 1.91x 1.88 m)

# Generac Mobile Products LLC Limited Warranty for Mobile Pumps

NOTE: ALL UNITS MUST HAVE A START-UP INSPECTION PERFORMED BY A  
GENERAC MOBILE PRODUCTS AUTHORIZED SERVICE DEALER

Generac Mobile Products LLC (GMP) will, at its discretion, repair or replace any part(s) that, upon examination, inspection, and testing by GMP or a GMP Authorized Service Dealer (ASD), or branch thereof, is found to be defective under normal use and service, in accordance with the warranty schedule set forth below. Repair or replacement pursuant to this limited warranty shall not renew or extend the original warranty period. Any repaired product shall be warranted for the remaining original warranty period only. Any equipment that the purchaser/owner claims to be defective must be examined by the nearest GMP ASD, or branch thereof. It is highly recommended that scheduled maintenance, as outlined by the owner's manual and any component documentation, be performed by a GMP ASD, or branch thereof. This will verify service has been performed on the unit throughout the warranty period. Emissions warranty coverage, if applicable, is detailed in a separate emissions warranty statement.

**Warranty Coverage:** Warranty coverage starts at the ship date from Generac Mobile Products, LLC. Registration of the unit will restart the warranty period up to six months from date of shipment.

Product Group	Warranty Period
MTP - Mobile Trash Pumps	1 year / unlimited hours; 2 years / 2000 hours
MTT - Mobile Tank and Tower	
MWT - Mobile Water Trailer	1 year / unlimited hours
MCP - Mobile CH&E Pump	6 months / unlimited hours

## Guidelines:

- All warranty repairs, must be performed and/or addressed by a GMP ASD, or branch thereof.
- All warranty expense allowances are subject to the conditions defined in *GMP Claim Policy Manual* (p/n 1000000820).
- Damage to any covered components or consequential damages caused by the use of a non-OEM part will not be covered by the warranty.
- Block heater controls and circulating pumps are only covered during the first year of the warranty provision.
- GMP may choose to repair, replace, or refund a piece of equipment.
- Warranty labor rates are based on normal working hours. Additional costs for overtime, holiday, or emergency labor costs for repairs outside of normal business hours will be the responsibility of the customer.
- Batteries are warranted by the battery manufacturer.
- Verification of required maintenance may be required for warranty coverage.
- LED lights and drivers are covered under warranty 2 years for parts and labor and an additional 3 years for parts only.
- Engines, pumps, and alternators used in GMP mobile pumps carry a separate manufacturer's (OEM) warranty (the "OEM Warranties"), unless otherwise expressly stated. All warranty claims for defects in material and/or workmanship on GMP product OEM components should be directed through the OEM distributor/dealer network. OEM Warranties may vary and are subject to change. GMP shall have no liability under OEM warranties.

## The following will NOT be covered by this warranty:

- Costs of normal maintenance (i.e. tune-ups, associated part(s), adjustments, loose/leaking clamps, installation and start-up).
- Any failure caused by contaminated fuels, oils, coolants/antifreeze or lack of proper fuels, oils or coolants/antifreeze.
- Failures caused by any act of God or external cause such as, but not limited to, collision, fire, theft, freezing, vandalism, riot or wars, lightning, earthquake, windstorm, hail, volcanic eruption, water or flood, tornado, hurricane, terrorist acts or nuclear holocaust, or any other matters which are reasonably beyond the manufacturer's control.
- Products that are modified or altered in a manner not authorized by GMP in writing.
- Failures due, but not limited to, normal wear and tear, accident, misuse, abuse, negligence, or improper installation or sizing.
- Any incidental, consequential or indirect damages caused by defects in materials or workmanship, or any delay in repair or replacement of the defective part(s).
- Normal maintenance and/or wear items (i.e. filters, fluids, brakes, bearings, fuses, tires, belts, bulbs, hoses, etc.).
- Damage related to rodent and/or insect infestation.
- Failure due to misapplication, misrepresentation, or bi-fuel conversion.
- Telephone, facsimile, cellular phone, satellite, Internet, or any other communication expenses.
- Rental equipment used while warranty repairs are being performed (i.e. rental generators, cranes, etc.).
- The warranty does not cover sales tax or any incidental costs including, without limitation, shipping or associated transportation charges, travel to and from repair sites, damages related to the loss of use, lost rentals, rental expenses and damages to property or equipment.
- Any and all expenses incurred investigating performance complaints unless defective GMP materials and/or workmanship were the direct cause of the problem.
- Any failed components warranted by the OEM (i.e. Engine, generator, pump, starting batteries, etc.).
- Overnight freight costs for replacement part(s).

Subject to the foregoing, this warranty supersedes of all other warranties, expressed or implied. Specifically, GMP makes no other warranties as to merchantability or fitness for a particular purpose. Any implied warranties which are allowed by law, shall be limited in duration to the terms of the express warranty provided herein. Some jurisdictions do not allow limitations on how long an implied warranty lasts, so the above limitation may not apply to you.

GMP's only liability shall be the repair or replacement of part(s) as stated above. In no event shall GMP be liable for any incidental or consequential damages, even if such damages are a direct result of GMP's negligence. Some jurisdictions do not allow the exclusion or limitation of incidental or consequential damages, so the above limitation may not apply to you. This warranty gives you specific legal rights. You may also have other rights under applicable law.

**FOR AUSTRALIA ONLY:** Our goods come with guarantees that cannot be excluded under the Australian Consumer Law. You are entitled to a replacement or refund for a major failure and for compensation for any other reasonably foreseeable loss or damage. You are also entitled to have the goods repaired or replaced if the goods fail to be of acceptable quality and the failure does not amount to a major failure.

**FOR NEW ZEALAND ONLY:** Nothing in this warranty statement excludes, restricts or modifies any condition, warranty right or remedy which pursuant to the New Zealand Legislation (Commonwealth or State) including the Fair Trading Practices Act of 1986 or the Consumer Guarantees Act 1993 ("CGA") applies to this limited warranty and may not be so excluded, restricted or modified. Nothing in this statement is intended to have the effect of contracting out of the provisions of the CGA, except to the extent permitted by that Act, and these terms are to be modified to the extent necessary to give effect to that intention. If you acquire goods from Generac Power Systems or any of its authorized resellers and distributors for the purposes of a business, then pursuant to section 43(2) of the CGA, it is agreed that the provisions of the CGA do not apply.

**GENERAC MOBILE PRODUCTS - 215 POWER DRIVE, BERLIN, WI. 54923-2420**

**Ph: (800) 926-9768 • Fax: (920) 361-2214**

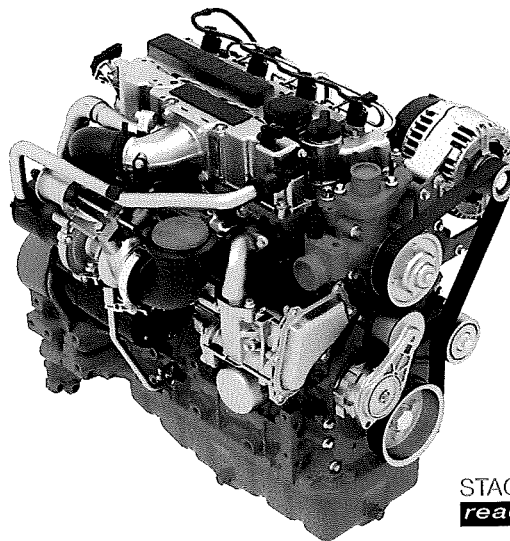
**To locate the nearest GMP ASD and to download schematics, exploded parts views and parts lists visit our website:**

[www.generacmobileproducts.com](http://www.generacmobileproducts.com)

# DEUTZ TCD 2.9

For mobile machinery ■ 30-75 kW / 40-100 hp at 2200-2600 min<sup>-1</sup>/rpm ■ EU Stage IIIB and V / US EPA Tier 4

- Water-cooled 4-cylinder inline engine with cooled, external exhaust gas recirculation with and without turbocharging and optionally with and without charge air cooling.
- The powerful Common Rail injection system and highly-efficient combustion process with cooled external exhaust gas recirculation ensure optimum engine performance at low fuel consumption and exhaust emissions.
- The DVERT® oxidation catalyst for EU Stage IIIB and US EPA Tier 4 enables maintenance-free operation under all application and ambient conditions. A DVERT® particulate filter (DPF) is available as an option. With the introduction of EU Stage V, DPF will be available for all engine types. Through the use of the diesel particulate filter, the engines already comply with the EU Stage V emissions standard expected from 2019\*.
- For ease of machine installation engine foot print and all major installation interfaces will stay unchanged for Stage V.
- Up to 1000 h oil change intervals and a maintenance-free valve train result in low maintenance costs and increased machine availability.
- The extremely compact engine design and customer friendly accessories reduce the installation costs and increase the number of applications.
- 100% power take-off at flywheel and front end and additional side PTO drive with up to 120 Nm for the mounting of up to two hydraulic pumps.
- A variant without EAT is optionally available for EU Stage III A, US EPA Tier 4i and for less regulated markets.
- New High Power engine version to extend the 2.9 platform to 100 hp.
- New High Torque engine version for extraordinary strong performance below 56 kW.



STAGE  
ready V

## TECHNICAL DATA

Engine type		D 2,9 L4	TD 2,9 L4	TCD 2,9 L4	TCD 2,9 L4 HT <sup>1)</sup>	TCD 2,9 L4 HP <sup>2)</sup>
No. of cylinders		4	4	4	4	4
Bore/stroke	mm   in	92/110   3,6/4,3	92/110   3,6/4,3	92/110   3,6/4,3	92/110   3,6/4,3	92/110   3,6/4,3
Displacement	l   cu in	2,9   177	2,9   177	2,9   177	2,9   177	2,9   177
Max. nominal speed	min <sup>-1</sup>   rpm	2600	2600	2600	2600	2300

Engine type		D 2,9 L4	TD 2,9 L4	TCD 2,9 L4	TCD 2,9 L4 HT <sup>1)</sup>	TCD 2,9 L4 HP <sup>2)</sup>
Power output as per ISO 14396 <sup>1)</sup>	kW   hp	36,4   50	55,4   75	55,4   75	55,4   75	75   100
at speed	min <sup>-1</sup>   rpm	2600	2600	2600	2600	2300
Max. torque	Nm   lb/ft	147   108	260   192	300   221	375   277	400   295
at speed	min <sup>-1</sup>   rpm	1600	1600-1800	1600	1600	1600
Minimum idling speed	min <sup>-1</sup>   rpm	900	900	900	900	900
Specific fuel consumption <sup>2)</sup>	g/kWh   lb/hph	225   0,37	225   0,37	210   0,35	210   0,35	210   0,35
Weight as per DIN 70020 Part 7A <sup>3)</sup>	kg   lb	220   485	237   522	237   522	237   522	237   522

\* Based on the proposal by the EU Commission COM (2014) 581 final from 25.09.2014

1) Power data without deduction of fan power

2) Best point consumption refers to diesel with a density of 0,835 kg/dm<sup>3</sup> at 15°C.

3) Without starter/alternator, cooler and fluids but with flywheel and flywheel housing

<sup>1)</sup> HT = High Torque  
<sup>2)</sup> HP = High Power

The engine company. 

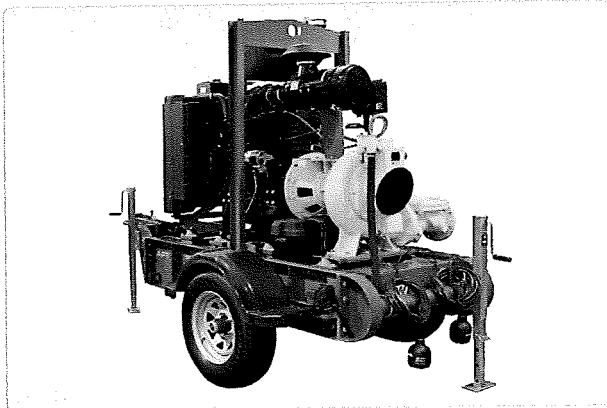




**WACKER  
NEUSON**  
*all it takes!*

## APT6

### Self Priming Trash Pumps



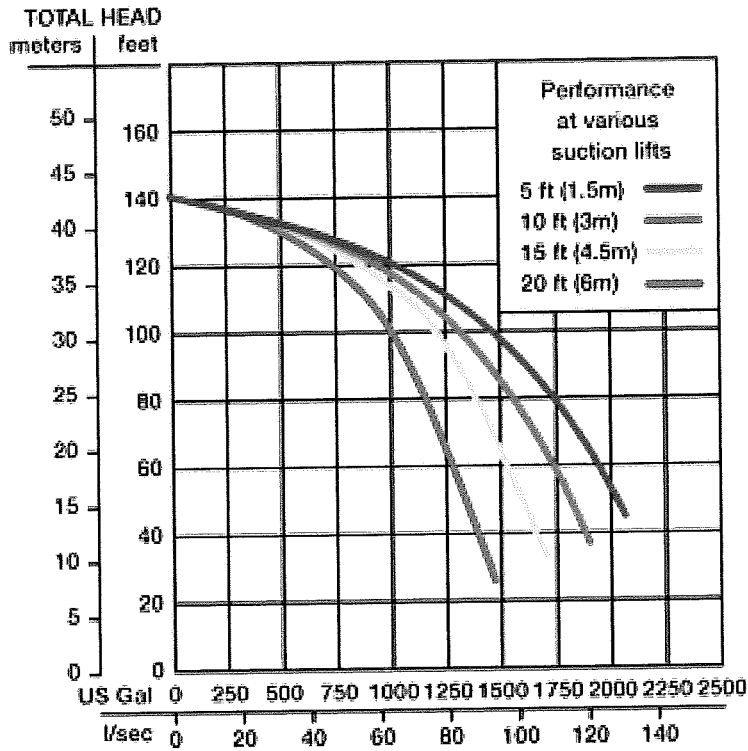
#### 6-inch automatic self-priming pump for high flow applications

Heavy-duty automatic self-priming centrifugal trash pumps are ideal for high flow efficiency and superior solid handling capabilities. Excellent for contractors, pump rental companies, mining, general construction and municipal use where unattended operation is necessary. High-grade cast ductile iron pump housing, wear plate and impeller construction is jobsite tough.

- Venturi/compressor assist priming system primes and re-primers pump automatically - no need for manual priming and capable of unattended operation applications.
- Oil-filled bearing and oil-bathed mechanical seal design provides indefinite run-dry capability making it the perfect choice for inconsistent flow applications.
- Engine/pump configuration and semi-open impeller design provides for high flow rate (2100 gpm/7949 l/min) and solids up to 3-in./76 mm.
- Standard control panel is telematics plug-n-play ready and includes float switch, on/off ready engine controller and standard automatic shutdowns for low oil pressure, high coolant temperature and overspeed.
- Modular trailer/skid platform design is convertible for enhanced versatility.



**WACKER  
NEUSON**  
*all it takes!*







**WACKER  
NEUSON**  
*all it takes!*

## Technical specifications

	APT6T	APT6S
<b>Dimensions</b>		
L x W x H in	133 x 64 x 94	93 x 44 x 78
L x W x H Shipping in	133 x 64 x 94	93 x 44 x 78
Diameter Suction & Discharge in	5.9	5.9
Operating weight lb	3,997	3,490
Shipping weight lb	3,646	3,142
<b>Operating data</b>		
Discharge Head ft	149.9	149.9
Discharge capacity US gpm	2,100	2,100
Pressure Max. psi	65	65
Suction height Lift ft	24.9	24.9
Solids diameter Max. in	3	3
<b>Engine / Motor</b>		
Engine / Motor type	Diesel, Inline 4-Cycle, Water Cooled	Diesel, Inline 4-Cycle, Water Cooled
Engine / Motor manufacturer	John Deere	John Deere
Engine / Motor	4045TF290	4045TF290
Displacement in <sup>3</sup>	275.9	275.9
RPM / speed Max. Operating rpm	2,400	2,400
Power Max. Rated hp	73.7	73.7
Power Rating Specification	J 1995 / ISO 3046	J 1995 / ISO 3046
Engine oil US qt	15.5	15.5
Fuel type	Diesel #2 - ULSD	Diesel #2 - ULSD
Tank capacity US gal	72.9	72.9
Fuel consumption at Max. RPM US gal/h	4.4	4.5
Runtime h	15.6	15.6



**WACKER  
NEUSON**  
*all it takes!*

**Please note**

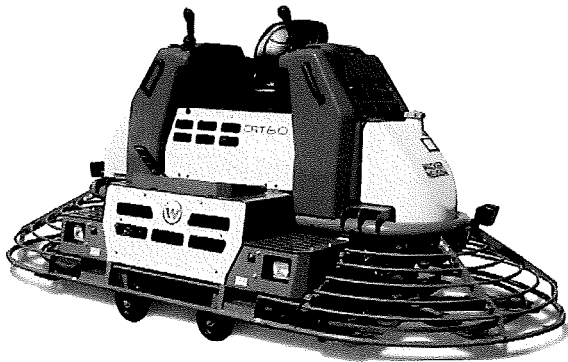
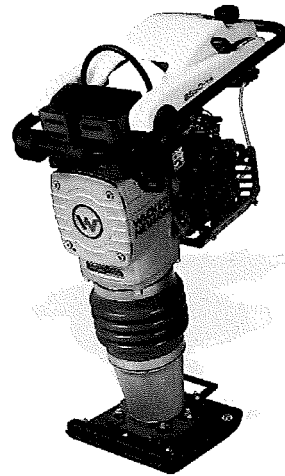
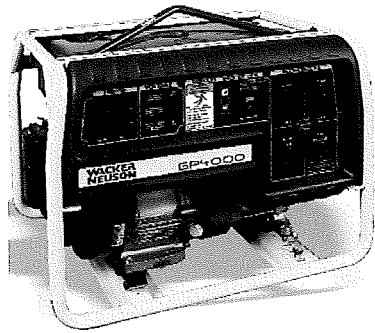
that product availability can vary from country to country. It is possible that information / products may not be available in your country. More detailed information on engine power can be found in the operator's manual; the stated power may vary due to specific operating conditions.

Subject to alterations and errors excepted. Applicable also to illustrations.

Copyright © 2018 Wacker Neuson SE.

	021
1.16	

## Light Construction Equipment Consumer Warranty Policy



## **Table of Contents**

---

Preface	Page 1
Distributor's Warranty Responsibilities	Page 1
Standard Warranties	Page 2
Warranty Coverage	Page 2
Warranty Limitations	Page 3
Disclaimer of Other Warranties	Page 3
Disclaimer of Other Liabilities	Page 3
Additional Terms and Conditions	Page 4

### **PREFACE**

This warranty policy (this "Policy") covers Light Equipment products manufactured and/or sold by Wacker Neuson and its subsidiaries. Compact Equipment and Climate Control Products will have detailed policies separate from this one.

### **YOUR DISTRIBUTOR'S WARRANTY RESPONSIBILITIES**

This Policy is to be used as a guide in determining warranty coverage and claim procedures for all Wacker Neuson Light Construction Equipment ("Equipment"). Refer to this Policy to decide whether a warranty claim may be justified and utilize it as a procedural guide for validity when completing warranty claims.

Warranty repair is the responsibility of all Wacker Neuson Distributors ("Distributors"). Credit for warranty repairs will only be given after the receipt by Wacker Neuson of Distributor's properly completed Wacker Neuson warranty claim. Warranty claim submittal requirements are described later in this Policy.

Distributor warranty responsibility begins upon receipt of Equipment. Each Distributor is responsible for inspecting Equipment for damage upon receipt; damage incurred during transit should be noted with the shipper prior to accepting the Equipment. The cost to repair damages incurred during transit will be settled between the receiving Distributor and the shipper. Damages incurred during transit will not be covered under the exclusive warranties and remedies contained in this Policy.

Distributor shall store new Equipment as is necessary to prevent deterioration, environmental damage or other damage and shall take such steps as are necessary to prepare Equipment for delivery to the end-user upon sale or assignment to their rental fleet. Before transferring Equipment to the end-user, Distributor shall review the Operator Manual with the end-user and review the preventive maintenance schedule, basic operation of the Equipment, and the warranty coverage. The end-user must be informed that only an authorized Wacker Neuson Distributor can perform any warranty repair and that only Wacker Neuson parts may be used.

Distributor can repair and file a warranty claim with Wacker Neuson once the Distributor determines that the repair is covered by this Policy. The Distributor should order the parts from Wacker Neuson as required to facilitate the repair. Upon receipt of the parts, Distributor should make the repair and test the Equipment. Upon completion of repair, the Distributor shall then submit a warranty claim to Wacker Neuson for final determination as to whether the repair falls within the guidelines of this Policy. Warranty claims should include the serial number, supporting documentation, photos, and any other required field in the online claim submission portal. Defective parts must be held by the Distributor until they receive either an RGA (Return Goods Authorization) number or credit for the repair.

Conditions which would require preapproval and an authorization number from a Wacker Neuson warranty representative:

- (a) Any repair which labor is estimated to exceed 8 hours.
- (b) Any repair which parts and labor are estimated to be greater than or equal to 50% of the dealers net price of the machine.
- (c) Any use of 3<sup>rd</sup> party contract maintenance and/or service providers.

**STANDARD WARRANTIES**

Wacker Neuson warrants that all new Equipment will be free from defects in materials and workmanship, under normal use and service, for the applicable periods listed below. Placement into service is either A) the date of sale to the first end user or B) assignment of the Equipment into a rental, re-rent or demo fleet, whichever event hereof occurs first. **Engines used are warranted solely through their respective manufacturer except where specifically outlined differently within this document.**

Equipment placed into the Distributor Floor Plan program must remain in new condition. For further detail on allotted hours please refer to the current Sales Policy.

Wacker Neuson warrants that any Light Equipment purchased out of Wacker Neuson's demonstration inventory will be free from defects in materials and workmanship, under normal use and service, for a period of (a) six (6) months from the date of sale or (b) the remainder of the standard Wacker Neuson new Equipment warranty described above, whichever period in clause (a) or (b) hereof is greater. Sale of demonstration Equipment is not considered as a sale of new Equipment for warranty purposes unless otherwise agreed to by authorized employees of Wacker Neuson. This warranty only applies to the first sale of used Equipment and not subsequent re-sales.

If, within the applicable warranty period, any Equipment shall be proved to Wacker Neuson satisfaction to be in need of other than routine service and/or preventative maintenance, such Equipment shall be repaired or replaced only as directed by Wacker Neuson.

Wacker Neuson sole obligation for valid warranty claims shall be limited to repair or replacement of the Equipment by Wacker Neuson or a Wacker Neuson authorized Distributor, at Wacker Neuson discretion, which shall be the end-user's exclusive remedy hereunder. This obligation shall not include any of the Distributor labor, except as set forth below, whether for product removal, reinstallation or otherwise, and shall be conditioned upon Wacker Neuson receiving written notice of the warranty claim within thirty (30) days after failure.

Only duly authorized personnel of Wacker Neuson can approve warranty claims or modify this Policy, in writing, in any manner.

The warranty period for replacement parts used in Equipment repairs inside of the machines standard factory warranty coverage is six (6) months or remainder of product warranty, whichever is greater, from the date of installation of the replacement parts.

The warranty period for replacement parts used in Equipment repairs outside of the machines standard factory warranty coverage is six (6) months from date of use or sale to the end user, not to exceed a total of eighteen (18) months from date of sale from Wacker Neuson to the Distributor.

The above warranties and remedies are exclusive and shall not be deemed to have failed of its or their essential purpose as long as Wacker Neuson or its authorized Distributor is willing and able to repair or replace the Equipment in question within a reasonable time after the end-user proves to Wacker Neuson that a valid warranty claim exists.

**MACHINES / ITEMS COVERED BY A 5 YEAR MACHINE WARRANTY**

All GPI & GPSi inverter type generators  
All Wacker Neuson four cycle engines, WM130 and larger <sup>2</sup>  
RTX-SC2 & 3 trench roller<sup>1,3</sup>  
Reversible Plates sold after March 9, 2016<sup>3</sup>

**MACHINES COVERED BY A 3 YEAR MACHINE / 5 YEAR ENGINE WARRANTY**

Walk behind & ride-on trowels manufactured with a Wacker Neuson engine  
WP & VP single direction vibratory plates manufactured with a Wacker Neuson engine  
All rollers manufactured with a Wacker Neuson engine  
All trash, dewatering & diaphragm pumps manufactured with a Wacker Neuson engine  
Any walk behind floor saw manufactured with a Wacker Neuson engine

**MACHINES COVERED BY A 3 YEAR WARRANTY**

All vibratory rammers (effective March 2014)<sup>3 4</sup>  
All GP, GPS & GV portable generators <sup>3</sup>  
EH65 and EH75 electric stand up breakers<sup>5</sup>  
All IRFU Internal vibrators (effective January 2013)

**MACHINES COVERED BY A 2 YEAR WARRANTY**

Remaining electric breakers  
Diaphragm pumps without a Wacker Neuson engine <sup>3</sup>  
Walk behind & Ride-on trowels not manufactured with a Wacker Neuson engine <sup>3</sup>  
Electric submersible pumps  
Mobile generators (4 years on the Basler control panel) <sup>3</sup>  
All Light towers<sup>3</sup>  
Diesel powered APT Pumps (or 3000 hours, whichever is first)  
<sup>3</sup>  
M1500 and M2500 Modular Internal vibrator motors

## **MACHINES COVERED BY A 1 YEAR WARRANTY**

Back pack & Pole vibrators<sup>3</sup>  
Concrete screeds (truss & wet)<sup>3</sup>  
Modular Internal & external concrete consolidation equipment<sup>3</sup> (excluding M1500 & M2500)  
Converters for external vibration equipment  
WP, VP & gasoline powered reversible plates not manufactured with a Wacker Neuson engine<sup>3</sup>

Ride-on and remaining walk behind rollers<sup>3</sup>  
Gasoline powered breakers  
Cut off saws (handheld)  
Walk behind floor saws not manufactured with a Wacker Neuson engine<sup>3</sup>  
Trash & dewatering pumps not manufactured with a Wacker Neuson engine<sup>3</sup>  
Light balloons

## **WARRANTY LIMITATIONS**

The above warranties do not apply to failures in Equipment or replacement parts resulting from:

- (a) Unauthorized or improper use, operation, maintenance, alteration or modification, except as directed in writing by authorized Wacker Neuson personnel.
- (b) End-user's or any third party's negligence.
- (c) Use of improper fluids and/or oils.
- (d) Connection and/or operation of electrical equipment at voltages other than the range specified for the unit (includes damages caused by low/high supply voltage).
- (e) Any natural disaster, acts of nature or other external factors such as but not limited to flood, wind, fire or lightning.
- (f) Damage due to shipping, transport or handling.
- (g) Storage conditions and/or environmental damage in a corrosive atmosphere, or otherwise in contact with corrosive materials.
- (h) Accident, neglect or unreasonable use or operation of the equipment.
- (i) Operation of equipment with components which do not match or meet the specifications recommended by Wacker Neuson.
- (j) Any other act, omission or circumstance beyond Wacker Neuson reasonable control.

The above warranties do not apply to the use of non-approved parts and the performance of repairs by anyone who is not an authorized Distributor of Wacker Neuson. The above warranties will be voided if seals on components are broken or removed.

The above warranties do not apply to engines or engine components, motors, tires, spark plugs, filters, V-belts, bellows, pump diaphragms, mechanical seals, shock mounts, lubricants, paints, fluids or items deemed as maintenance items by Wacker Neuson or any other parts not directly manufactured by Wacker Neuson unless outlined elsewhere in this Policy.

The above warranties also do not apply to accessories such as but not limited to; any type of blade(s), carbide tipped breaker/drill tools (e.g., twist drills, core bits, rock bits and attachments) or any part deemed a wear item by Wacker Neuson – all of which are sold "AS IS."

Batteries and hydraulic hoses will be covered at 100% parts and labor during the first 12 months of warranty.

## **DISCLAIMER OF OTHER WARRANTIES**

THE ABOVE WARRANTIES AND REMEDIES ARE EXCLUSIVE AND IN LIEU OF ALL OTHER WARRANTIES AND REMEDIES WHATSOEVER, EXPRESS OR IMPLIED, EACH OF WHICH ARE HEREBY EXPRESSLY DISCLAIMED BY WACKER NEUSON, INCLUDING, WITHOUT LIMITATION, ANY IMPLIED WARRANTIES OF MERCHANTABILITY, FITNESS FOR A PARTICULAR PURPOSE, USAGE OF TRADE AND NONINFRINGEMENT.

The Extended Service Protection Plans, **ESPP**, are offered and administered by EPG Insurance Inc. in the U.S. and Protection Point Services in Canada. For questions or to submit a claim, parties can be contacted at 1-866-408-2881 (US) or 1-888-952-5511 (Canada).

## **DISCLAIMER OF OTHER LIABILITIES**

Wacker Neuson sole responsibility with respect to breach of the above warranties shall be as provided in the section titled "STANDARD WARRANTIES" above.

WACKER NEUSON SHALL NOT BE SUBJECT TO AND HEREBY DISCLAIMS (EVEN IF WACKER NEUSON HAS BEEN ADVISED OF THE POSSIBILITY OF THE SAME): (A) ANY OBLIGATIONS OR LIABILITIES ARISING FROM BREACH OF THE ABOVE WARRANTIES; OTHER THAN THE EXCLUSIVE REMEDIES EXPRESSLY SET FORTH THEREIN; (B) ANY OBLIGATIONS OR LIABILITIES ARISING FROM TORT CLAIMS (INCLUDING, WITHOUT LIMITATION, NEGLIGENCE AND STRICT LIABILITY) OR ARISING UNDER OTHER THEORIES OF LAW WITH RESPECT TO EQUIPMENT SOLD BY WACKER NEUSON, OR ANY UNDERTAKINGS, ACTS OR OMISSIONS RELATING THERETO; AND (C) ANY AND ALL CONSEQUENTIAL, INCIDENTAL, SPECIAL, INDIRECT, PUNITIVE, CONTINGENT, SPECULATIVE AND SIMILAR DAMAGES.

Without limiting the generality of the foregoing, Wacker Neuson specifically disclaims any liability for penalties (including administrative penalties), lost profits or revenues, loss of use of Equipment or associated material, cost of capital, facilities or services, downtime, shut-down or slowdown, spoilage of material, or any other type of economic loss.

## **ADDITIONAL TERMS AND CONDITIONS**

### **ENGINE WARRANTY**

See the specific engine manufacturer's documentation for warranty details. **Engines used are warranted solely through their respective manufacturer except where specifically outlined differently within this document.** Warranty work should only be performed by the manufacturer of engines or their authorized Distributors. Wacker Neuson cannot authorize warranty work on these engines. If an engine vendor is not available, contact Wacker Neuson for advice.

Although Wacker Neuson offers certain engine components for sale this does by no means guarantee such parts are covered by this Policy or the manufacturer's warranty. Such parts are offered as a convenience to our customers for non-warranty repairs and are not for repair of engines still covered under the manufacturer's warranty.

### **PART AVAILABILITY**

All parts for warranty repairs must be purchased from Wacker Neuson unless advised otherwise by an authorized representative of Wacker Neuson Product Support. If a Distributor does not have one or more of the parts required to complete the warranty repair, it will have to order them from Wacker Neuson through the normal established procedures. Parts used for a warranty repair not purchased from or authorized by Wacker Neuson will void the warranty and not be eligible for reimbursement.

Wacker Neuson will not send parts to end-users for warranty repairs and will not reimburse extra shipping or minimum order charges for emergency part orders unless previously approved by an authorized representative of Wacker Neuson.

Once the repair is completed, the Distributor must electronically submit the warranty claim to Wacker Neuson. Reimbursement for warranty parts will be paid at the net price of the part. Warranty claims must be submitted electronically at [www.wackerneuson.com](http://www.wackerneuson.com).

### **UNSATISFACTORY WARRANTY REPAIR SERVICES**

Service work performed under warranty which does not satisfactorily repair the Equipment due to poor workmanship or improper initial diagnosis and which requires subsequent repair will be the sole responsibility of the Distributor. Wacker Neuson will not reimburse for improper or repetitive repairs caused by failures in the service work.

Any third-party repairs must first be approved by an authorized representative of Wacker Neuson. Wacker Neuson will not provide reimbursement for costs associated with the use of third party service providers or hiring of personnel necessary to perform the repair properly.

### **SPECIALIZED TOOLS OR EQUIPMENT**

Wacker Neuson Distributors must have on-hand, any manuals, tools and specialized equipment required for repairs. Any collateral damage occurring during the repair due to the incorrect or improper use of equipment or procedures will not be considered for warranty coverage or other reimbursement by Wacker Neuson.

### **EMISSION SYSTEM RELATED WARRANTY**

Components of the emissions system warranty are outlined in the Engine Manufacturers owners & operations manual and/or the Operators manual for the machine. Refer to these documents for specifics on what is covered. If you are unable to locate the machine operators manual which came with your machine one can be obtained from the website, [www.wackerneuson.com](http://www.wackerneuson.com). The serial number of the machine will be required to obtain the correct manual.

Unauthorized modifications or alterations of emission related components shall void the above warranties. Components covered under this section include up to the first scheduled maintenance, vary by manufacturer, and consult their specific information on coverage.

### **MAINTENANCE OF EMISSION SYSTEMS**

Follow the maintenance schedule listed in the Engine Operator's Manual for the Equipment. This schedule is based on the Equipment being used for its intended purpose under normal conditions. If operated under sustained high loads, light or under loading, in high temperatures or extremely dusty environments, more frequent service will be required. Regeneration of or maintenance to the exhaust after-treatment systems in these cases is not covered under this or the engine manufacturer's warranty.

### **ENVIRONMENTAL CONDITIONS**

Damage due to environmental conditions including but not limited to rusting, corrosion, electrical failures due to the environment machine is being operated in, coatings or failures deemed by Wacker Neuson being attributed to the operating environment will not be considered for warranty. Changing of fluids or filters for environmental conditions or for extreme environments/conditions is not covered by warranty.

---

1. Any new RTX-SC2 or 3 Trench Roller sold after August 1, 2013 is covered by a 5-year warranty. On units with the Kohler engine originally installed in the unit for the first 3 years Wacker Neuson Distributors, who have a service department trained on Kohler diesel engines (via Kohler direct or through the Wacker Neuson certified Kohler engine training course) may complete the repair if they wish or work through the Kohler Engine Distributor network. In the fourth and fifth years the engine warranty is solely administered by Wacker Neuson and its Distributor network. If a Distributor does not feel they have the capabilities to repair the engine they can contact Wacker Neuson Product Support and request approval to use the Kohler engine Distributor network. Approval must be given in the fourth and fifth years for this exclusive Wacker Neuson warranty. In all cases the complete engine information, including model and serial number, must be included. Missing information will suspend the claim until received. This warranty is exclusive to Wacker Neuson Distributors in the USA and Canada. Units the Kubota engine installed, the Roller carries the 5 year warranty on the machine but the engine is solely warranted through the Kubota warranty authorized support network, Wacker Neuson does not authorize or administer warranty repairs to the Kubota engine.

2. Any Wacker Neuson 4-cycle engine, 130cc's and higher, purchased as a spare part replacement is covered for 5-years from the date of installation or sale to a customer.

3. All engines, except for Wacker Neuson engines, are warranted solely through their respective manufacturer. See the applicable manufacturer's documentation for specific warranty coverage.

4. Wacker Neuson WM80 and WM100 engines utilized on rammers are warranted through Wacker Neuson for a period of 3 years (spare part replacements for 1 year).

5. The EH65 and EH75 Electric Breakers and the IRFU internal vibrators can carry an additional 2 year Limited Powertrain Warranty for retail customers in addition to the 3 Year Standard Warranty. Powertrain includes the electric stator, rotor and the inverter within these machines. This additional 2 years of coverage is not available for the Distributor rental fleet however it can be applied if sold out of a rental fleet to a retail customer any time within the 3 Year Standard Warranty. It is the responsibility of the Distributor and/or the retail customer to register their machine serial number on the [www.wackerneuson-warranty.com](http://www.wackerneuson-warranty.com) website for the additional Limited Powertrain Warranty to apply.



11-13-18 / CITY OF TROY / PUMP BID # ITB-COT 18-53

DEVIATIONS FOR BOTH PUMPS QUOTED BY BUCK AND KNOBBY EQUIP:

TO WHO IT MAY CONCERN:

BOTH THE GENERAC MOBILE PRODUCTS AND THE WACKER NEUSON BRAND PUMPS USE A "VENTURI" PRIMING SYSTEM.

A VENTURI PRIMING SYSTEM USES AIR TO CREATE THE VACUUM FOR PRIMING, WHICH IS CONSIDERED A DRY PRIME SYSTEM.

THEREFORE, THE REQUIREMENT FOR A HEATED PRIMING CHAMBER ON THE BID SPEC SHEET IS NOT NEEDED FOR THESE TWO PUMP

BRANDS/MODELS AS THERE IS NO WATER TO FREEZE IN THE PRIMING

CHAMBER WHEN NOT IN USE. THIS ALSO MEANS THAT IF SOMEONE

WOULD FORGET TO PLUG IN THE PUMP FOR SOME REASON, IT

WOULDN'T STOP THE D.P.W. FROM BEING ABLE TO USE IT IN FREEZING CONDITIONS.

FEEL FREE TO CONTACT ME WITH ANY QUESTIONS OR CONCERNS.

Thank You for the opportunity to earn the city's business.

Jim Moriarty

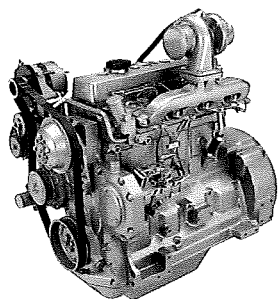
Buck and Knobby Equip. Co.

734 347 8025 Cell

734 856 2811 Work

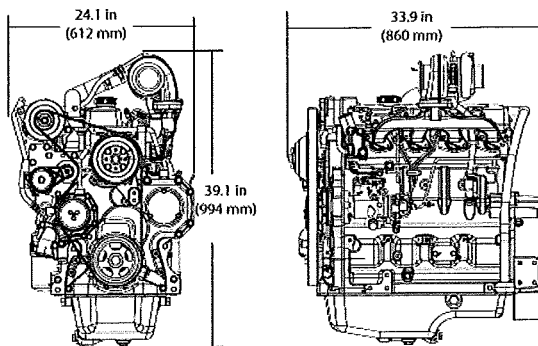
# PowerTech M 4045T Diesel Engine

Industrial Engine Specifications



4045T shown

## Dimensions



## Certifications

CARB  
EPA Tier 3  
EU Stage III A  
MSHA

## General data

Model	4045TF280	Aspiration	Turbocharged
Number of cylinders	4	Length - mm (in)	860 (33.9)
Displacement - L (cu in)	4.5 (275)	Width - mm (in)	612 (24.1)
Bore and Stroke-- mm (in)	106 x 127 (4.17 x 5.00)	Height-- mm (in)	994 (39.1)
Compression Ratio	19.0:1	Weight, dry-- kg (lb)	396 (873)
Engine Type	In-line, 4-Cycle		

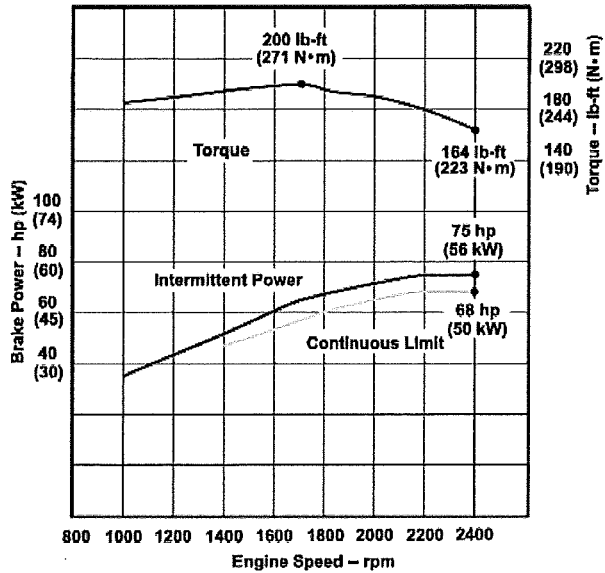
Intermittent BHP is the power rating for variable speed and load applications where full power is required intermittently.

Heavy duty - see application ratings/definitions, engine performance curves.

Continuous BHP is the power rating for applications operating under a constant load and speed for long periods of time.

Power output is within + or - 5% at standard SAE J 1995 and ISO 3046.

## Performance curve



## Performance data

Intermittent rated speed	56 kW (75 hp) @ 2400 rpm
Peak power	56 kW (75 hp) @ 2400 rpm
Peak torque	271 N.m (200 ft-lb) @ 1700 rpm
Torque rise %	22% @ 1700 rpm

## Features and benefits

### 2-Valve Cylinder Head

- Cross flow head design that provides excellent breathing from a lower cost two-valve cylinder head

### Mechanical Rotary Fuel Pump

- The timing and fuel injection pressures are optimized to maximize performance and fuel economy at a given rated speed

### Fixed Geometry Turbocharger

- Fixed geometry turbochargers are sized for a specific power range and optimized to provide excellent performance across the entire torque curve. They are also designed to maximize fuel economy between the engine's rated speed and peak torque.

### Turbocharged

- In turbocharged engines, the air is pre-compressed. Due to the higher pressure, more air is supplied into the combustion chamber allowing a corresponding increase in fuel injection which results in greater engine output

### Compact Size

- Mounting points are the same as Tier 2/Stage II engine models

### Engine Performance

- New power bulge feature
- New higher-peak torque speed
- Lower-rated speeds available for reduced noise and improved fuel economy

### Additional Features

- Self-adjusting poly-vee fan drive
- Forged-steel connecting rods
- Replaceable wet-type cylinder liners
- Either-side service
- 500-hour oil change
- Optional final fuel filter with water separator and water-in-fuel sensor
- Optional balancer shafts

John Deere Power Systems  
3801 W. Ridgeway Ave.  
PO Box 5100  
Waterloo, IA 50704-5100  
Phone: 1-800-533-6446  
Fax: 319.292.5075

John Deere Power Systems  
Usine de Saran  
La Foulonnerie - B.P. 11.13  
45401 Fleury les Aubrais Cedex  
France  
Phone: 33.2.38.82.61.19  
Fax: 33.2.38.82.60.00

*All values at rated speed and power with standard options unless otherwise noted. Specifications and design subject to change without notice.*



500 West Big Beaver  
Troy, MI 48084  
troyml.gov

# CITY COUNCIL AGENDA ITEM

Date: November 28, 2018

To: Mark F. Miller, City Manager

From: MaryBeth Murz, Purchasing Director  
Kurt Bovensiep, Public Works Director  
Tom Darling, Director of Financial Services  
Paul Trosper, Water & Sewer Operations Manager

Subject: Standard Purchasing Resolution 2 - Centrifugal Self –Priming Trailer Mounted Trash Pump

### History

- The Water & Sewer Division currently has a 6” centrifugal pump that is approximately 40 years old.
- The current pump is used whenever flooding conditions occur, to assist in preventing property damage.
- The existing pump must be manned the entire time it is in operation as it cannot stop and start automatically.
- The existing pump is in need of maintenance that could potentially take it out of service for an extended period , leaving the City of Troy Water Division without a 6” pump during an emergency situation

### Purchasing

- October 22, 2018 an Invitation to Bid was issued and posted on the Michigan Inter-governmental Trade Network (MITN) website. [www.mitn.info](http://www.mitn.info).
- November 15, 2018 a Bid opening was conducted and Bids were received as required by the City Charter and Code for the purchase of a trailer mounted, diesel engine powered, self-priming, float controlled, 6” centrifugal trash pump.
- Below is a summary of potential firms.

<b>Companies notified via MITN</b>	185
Troy Companies notified via MITN	5
Troy Companies - Active email Notification	4
Troy Companies - Active Free	1
<b>Companies that viewed the bid</b>	42
Troy Companies that viewed the bid	0

*MITN provides a resourceful online platform to streamline the procurement process, reduce costs, and make it easier and more transparent for vendors to do business with the City of Troy.*  
**Active MITN** members with a current membership and paying annual dues receive automatic electronic notification which allows instant access to Bids, RFPS and Quote opportunities with the City.  
**Active MITN non-paying members** are responsible to monitor and check the MITN website for opportunities to do business with the City.  
**Inactive MITN member** status can occur when a company does not renew their account upon expiration. Inactive members cannot be notified of solicitations or access any bid information.



500 West Big Beaver  
Troy, MI 48084  
troymi.gov

## CITY COUNCIL AGENDA ITEM

### **Purchasing (continued)**

- Nine (9) bid responses were received.
- The bid was issued and specified the Gorman-Rupp Prime Aire Model #PA6C60-4045T or *approved equivalent*.
- The submitted bids were analyzed and specified models were evaluated by the Water Department.
- *Buck and Knobby Equipment Co. of Ottawa Lake, MI* responded with the Wacker Neuson Model which is an *approved equivalent* by the Water Department and is also the low bid.
- *The Wacker Neuson Model* meets the needs of the Water Department.

### **Financial**

- Funds for this purchase are available in the Sewer Capital Fund Account - Equipment General Equipment # 590.527.535.7978.010.
- Project #2019C0064.

### **Recommendation**

City management recommends awarding a contract for the purchase of one (1) Wacker Neuson Model #APT6T, 6" trailer mounted centrifugal trash pump bid as specified to the approved equivalent bidder; *Buck and Knobby Equipment Co. of Ottawa Lake, MI* for an estimated total cost of \$34,092.00 at the unit price contained and detailed in the bid tabulation opened November 15, 2018.

Opening Date: 11/15/2018  
 Reviewed Date: 11/20/2018

BID TABULATION  
 CITY OF TROY  
 TRASH PUMP

Vendor Name:	Fredrickson Supply, LLC	AIS Construction Equipment Corp.	<b>Buck and Knobby Equipment Co.</b>	CDPW, INC. dba Complete Dewatering
City:	Grand Rapids, MI	Multiple Locations	Ottawa Lake, MI	Edgewater, FL
Check #:	56566168	No Check	30569324	6658801180

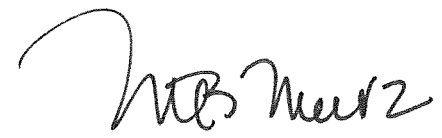
**PROPOSAL: Furnish a new Gorman-Rupp Prime Aire Model #PA6C60-4045T 6" Centrifugal Trailer- Mounted Trash Pump; AS SPECIFIED, OR APPROVED EQUIVALENT.**

Qty	Description	Price	Price	Price	Price	Price
1	NEW GORMAN-RUPP PRIME AIRE MODEL #PA6C60-4045T 6" CENTRIFUGAL TRAILER-MOUNTED TRASH PUMP OR EQUIVALENT	No Bid	No Bid	No Bid	No Bid	No Bid

**OR APPROVED EQUIVALENT.**

Qty	Description	Price	Price	Price	Price	Price
1	Alternate Bid	\$35,300.00	\$37,600.00	\$38,189.00	\$34,092.00	\$41,850.00
		Wacker Neuson APT6 Self Priming Trash Pump	Godwin Model CD150M FT4	Generac Model MTP6DZV	Wacker Neuson Model APT6T	Isuzu Complete 6VATP-Iz4-CRP-W

Contact Information:	Sheri Norton	Craig Vick	James Moriarty II	Carl Calabrese
Hours of Operation:	8AM-5PM	None	7AM-5PM M-F	M-F 8AM-5PM
24 Hour Phone #:	616-949-2385	586-634-2760	734-347-8025	800-800-9562
Warranty	Y or N	1 Year Full, 2 Year/2,000 Hrs. Engine Warranty	1 Year, Unlimited Hrs. 2 Years, 2,000 Hrs.	1 Year Limited, Engine Warranty
Onsite Training	Y or N	Y	Y	Y
References:	Y or N	Y	Y	Y
Insurance Met:	Y or N	Y	Y	Y
Addendum:	Y or N	Y	Y	Y
Payment Terms:	Y or N	NET 25	NONE	NONE
Exceptions:	Y or N	NONE	Y, Venturi Priming System	N
Acknowledgement:	Y or N	Y	NONE	Y
Forms:	Y or N	Y	NONE	Y



MaryBeth Murz,  
 Purchasing Manager

Attest:  
 Sue Reisterer  
 Paul Trospen  
 Kristine Kallek

Opening Date: 11/15/2018  
 Reviewed Date: 11/20/2018

BID TABULATION  
 CITY OF TROY  
 TRASH PUMP

ITB-COT 18-53  
 Pg. 2 of 2

Vendor Name:	Mersino Dewatering, Inc.	DuBois- Cooper Associates, Inc.	Wastewater Solutions, LLC
City:	Davison, MI	Plymouth, MI	Boca Raton, FL
Check #:	9499907459	659958	6648603921

**PROPOSAL: Furnish a new Gorman-Rupp Prime Aire Model #PA6C60-4045T 6" Centrifugal Trailer- Mounted Trash Pump; AS SPECIFIED, OR APPROVED EQUIVALENT.**

Qty	Description	Price	Price	Price	Price
1	NEW GORMAN-RUPP PRIME AIRE MODEL #PA6C60-4045T 6" CENTRIFUGAL TRAILER-MOUNTED TRASH PUMP OR EQUIVALENT	No Bid	No Bid	\$44,450.00	No Bid

**OR APPROVED EQUIVALENT.**

Qty	Description	Price	Price	Price	Price
1	Alternate Bid	\$44,000.00	\$37,813.00	No Bid	\$49,412.00
		Global Pump-6GSTAPIKT4TIO P-114HP	Global Pump-6GSTAPIKT4TIO P-74HP		Wastecorp TFV6-M-DT Trash Flow

Contact Information:	Joe Cherluck	Jason Frederick	Arturo Garcia	
Hours of Operation:	M-F 7AM-5PM	M-F 9AM-5AM	8AM-5PM	
24 Hour Phone #:	866-MERSINO	734-455-6700	954-483-9269	
Warranty	Y or N	1 Year of 2,000 Hrs.	2 Year Limited or 2,000	1 Year from Install or 18 Months from ship date
Onsite Training	Y or N	Y	Y	Y
References:	Y or N	Y	Y	Y
Insurance Met:	Y or N	Y	Y	Y
Addendum:	Y or N	Y	Y	Y
Payment Terms:		30 NET	NET 30	NET 30
Exceptions:	Y or N	Y, ALTERNATE	NONE	NONE
Acknowledgement:	Y or N	Y	Y	Y
Forms:	Y or N	Y	Y	Y

**Standard Purchasing Resolution 2 - Award Low Bidder- Centrifugal Self –Priming  
Trailer Mounted Trash Pump**

RESOLVED, That Troy City Council hereby AWARDS a contract to purchase one (1) Wacker Neuson Model #APT6T, 6" trailer mounted centrifugal trash pump bid as specified to the approved equivalent bidder; *Buck and Knobby Equipment Co. of Ottawa Lake, MI* for an estimated total cost of \$34,092.00 at the unit price contained in the bid tabulation opened November 15, 2018; a copy of which shall be ATTACHED to the original Minutes of this meeting.





THIS ENDORSEMENT CHANGES THE POLICY. PLEASE READ IT CAREFULLY.

**ADDITIONAL INSURED - OWNERS, LESSEES OR  
CONTRACTORS - SCHEDULED PERSON OR  
ORGANIZATION**

This endorsement modifies insurance provided under the following:

COMMERCIAL GENERAL LIABILITY COVERAGE PART

**SCHEDULE**

Name Of Additional Insured Person(s) Or Organization(s)	Location(s) Of Covered Operations
City of Troy	All Locations Description: All Jobs
Information required to complete this Schedule, if not shown above, will be shown in the Declarations.	

**A. Section II - Who Is An Insured** is amended to include as an additional insured the person(s) or organization(s) shown in the Schedule, but only with respect to liability for "bodily injury", "property damage" or "personal and advertising injury" caused, in whole or in part, by:

1. Your acts or omissions; or
2. The acts or omissions of those acting on your behalf;

in the performance of your ongoing operations for the additional insured(s) at the location(s) designated above.

However:

1. The insurance afforded to such additional insured only applies to the extent permitted by law; and
2. If coverage provided to the additional insured is required by a contract or agreement, the insurance afforded to such additional insured will not be broader than that which you are required by the contract or agreement to provide for such additional insured.

**B.** With respect to the insurance afforded to these additional insureds, the following additional exclusions apply:

This insurance does not apply to "bodily injury" or "property damage" occurring after:

1. All work, including materials, parts or equipment furnished in connection with such work, on the project (other than service, maintenance or repairs) to be performed by or on behalf of the additional insured(s) at the location of the covered operations has been completed; or
2. That portion of "your work" out of which the injury or damage arises has been put to its intended use by any person or organization other than another contractor or subcontractor engaged in performing operations for a principal as a part of the same project.

POLICY NUMBER: 2565496005

COMMERCIAL AUTO  
CA 20 48 10 13

**THIS ENDORSEMENT CHANGES THE POLICY. PLEASE READ IT CAREFULLY.**

## **DESIGNATED INSURED FOR COVERED AUTOS LIABILITY COVERAGE**

This endorsement modifies insurance provided under the following:

AUTO DEALERS COVERAGE FORM  
BUSINESS AUTO COVERAGE FORM  
MOTOR CARRIER COVERAGE FORM

With respect to coverage provided by this endorsement, the provisions of the Coverage Form apply unless modified by the endorsement.

This endorsement identifies person(s) or organization(s) who are "insureds" for Covered Autos Liability Coverage under the Who Is An Insured provision of the Coverage Form. This endorsement does not alter coverage provided in the Coverage Form.

This endorsement changes the policy effective on the inception date of the policy unless another date is indicated below.

<b>Named Insured:</b> Buck & Knobby Equipment Co Inc
<b>Endorsement Effective Date:</b> 11/15/2018

### **SCHEDULE**

<b>Name of Person(s) or Organization(s):</b> City of Troy
Information required to complete this Schedule, if not shown above, will be shown in the Declarations.

Each person or organization shown in the Schedule is an "insured" for Covered Autos Liability Coverage, but only to the extent that person or organization qualifies as an "insured" under the Who Is An Insured provision contained in Paragraph **A.1.** of Section **II** - Covered Autos Liability Coverage in the Business Auto and Motor Carrier Coverage Forms and Paragraph **D.2.** of Section **I** - Covered Autos Coverages of the Auto Dealers Coverage Form.